

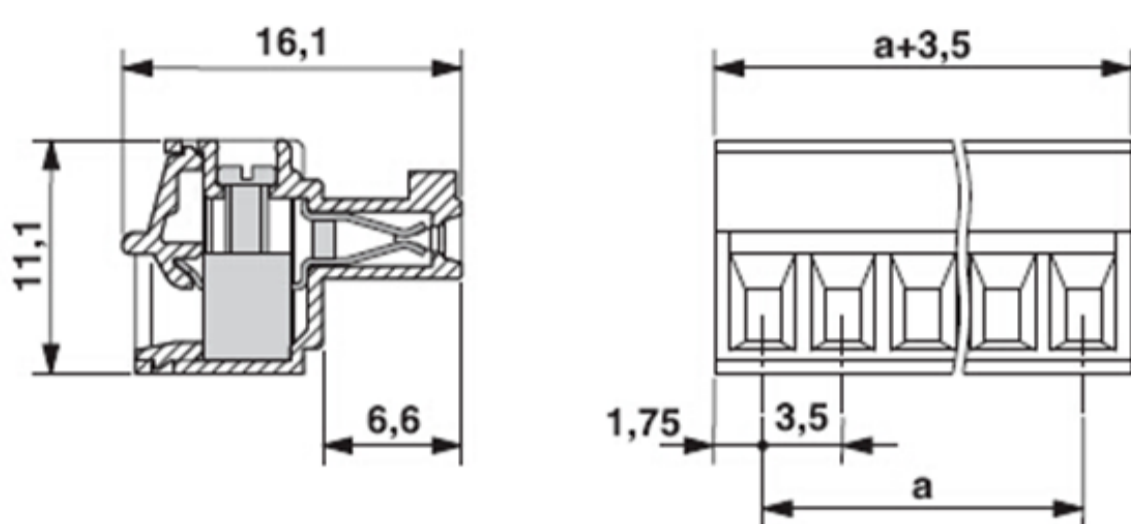
APPROVALS:  **RoHS** 

PART NO.: 15EGTK-3.5

- Pluggable Terminal Block,
- Nominal Current (IEC): 7A
- Rated Voltage (IEC): 250V
- Number of Positions: 2P-24P
- Standard Color: Green
- Contact Surface: Tin
- Connection Method: Screw Connection



DRAWINGS:



www.cngolten.com
golten@cngolten.com

Tel: +86-574-63204122

1/3
18/5/2013

TECHNICAL DATA:

Electrical		
Standard	UL	IEC
Rated voltage	300V	250V
Rated current	8A	7A
Wire range	28-16AWG	0.5-1.5mm ²
Rated impulse voltage	2.5KV	
Mechanical		
Torque	0.2Nm(1.7Lb-In.)	
Ambient temperature	-40°C~+105°C	
Strip length	7mm	
Dimensions		
Pitch	3.5mm(.138")	
Poles	2P-24P	
Material		
Housing	PA66,UL94V-0	
Screws	M2,steel,Cr ³⁺ Zn Plated	
Pin header	Phosphor bronze	
Wire guard	Brass,Ni plated	

APPLICATION:

Elevator, industry, Security, Instrument, Machinery, Energy, Communication

MATCHING PARTS:

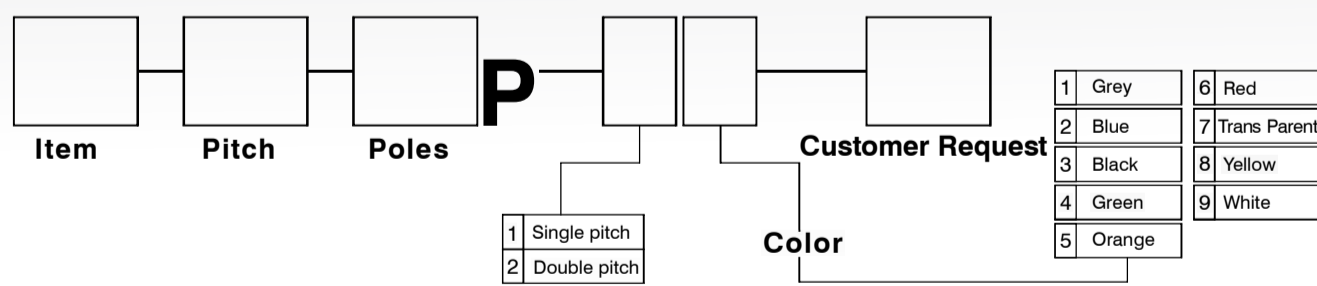
female parts \ male parts	15EGTVC-3.5	15EGTRC-3.5	15EGTVM-3.5	15EGTRM-3.5	15EGTRH-3.5
15EGTK-3.5	•	•	•	•	•

www.cngolten.com
golten@cngolten.com

Tel: +86-574-63204122

2/3
18/5/2013

HOW TO ORDER:



PACKING:

Item	Number of Poles	PCS/Box A	PCS/Box B	PCB/Carton	GW/CTNS(KG)
15EGTK-3.5	2		2000	8000	10
	3		1000	4000	11
	4		1000	4000	12
	5		800	3200	13
	6		600	2400	12
	7		1000	4000	22
	8		850	3400	22
	9		800	3200	22
	10		700	2800	22
	11		625	2500	22
	12		600	2400	23
	13		525	2100	22
	14		500	2000	22
	15		500	2000	22
	16		425	1700	21
	17		450	1800	23
	18		400	1600	23
	20		350	1400	22
24		300	1200	23	

Remark: Box A Dimension: 20*13.5*7(cm); Box B Dimension: 26*20*10(cm)
Carton Dimension: 42*28*23(cm)

www.cngolten.com
golten@cngolten.com

Tel: +86-574-63204122

3/3
18/5/2013