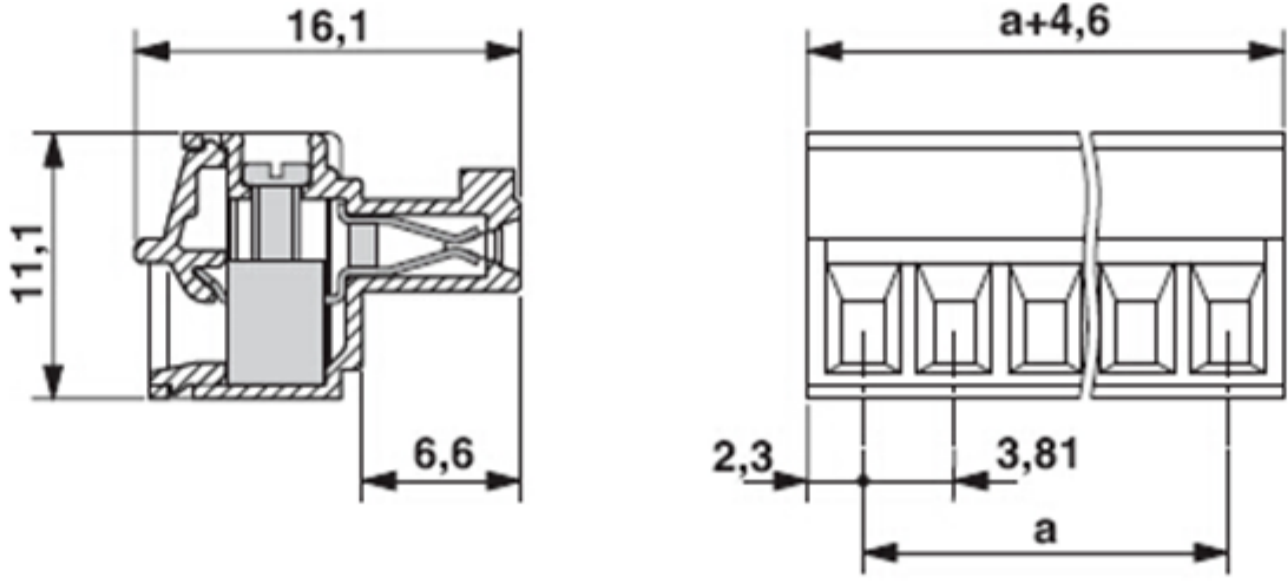


PART NO.: 15EGTK-3.81

- Pluggable Terminal Block,
- Nominal Current (IEC): 7A
- Rated Voltage (IEC): 250V
- Number of Positions: 2P-24P
- Standard Color: Green
- Contact Surface: Tin
- Connection Method: Screw Connection



DRAWINGS:



TECHNICAL DATA:

Electrical		
Standard	UL	IEC
Rated voltage	300V	250V
Rated current	8A	7A
Wire range	28-16AWG	0.5-1.5mm ²
Rated impulse voltage	2.5KV	
Mechanical		
Torque	0.2Nm(1.7Lb-In.)	
Ambient temperature	-40°C~+105°C	
Strip length	7mm	
Dimensions		
Pitch	3.81mm(.150")	
Poles	2P-24P	
Material		
Housing	PA66,UL94V-0	
Screws	M2,steel,Cr ³⁺ Zn Plated	
Pin header	Phosphor bronze	
Wire guard	Brass,Ni plated	

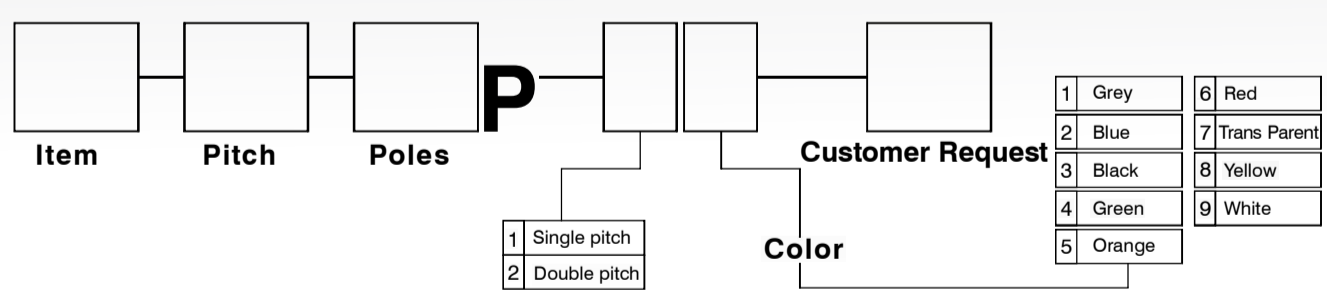
APPLICATION:

Elevator, industry, Security, Instrument, Machinery, Energy, Communication

MATCHING PARTS:

	male parts	15EGTVC-3.81	15EGTRC-3.81	15EGTVM-3.81	15EGTRM-3.81	15EGTRH-3.81
female parts		•	•	•	•	•

HOW TO ORDER:



PACKING:

Item	Number of Poles	PCS/Box A	PCS/Box B	PCB/Carton	GW/CTNS(KG)
15EGTK-3.81	2		2000	8000	13
	3		1000	4000	10
	4		1000	4000	12
	5		800	3200	13
	6		600	2400	11
	7		900	3600	20
	8		800	3200	19
	9		725	2900	21
	10		650	2600	21
	11		575	2300	20
	12		550	2200	21
	13		525	2100	22
	14		450	1800	20
	15		425	1700	20
	16		480	1920	23.5
	18		350	1400	20
	19		360	1440	21
20		325	1300	20	
23		300	1200	21	

Remark: Box A Dimension: 20*13.5*7(cm); Box B Dimension: 26*20*10(cm)
Carton Dimension: 42*28*23(cm)