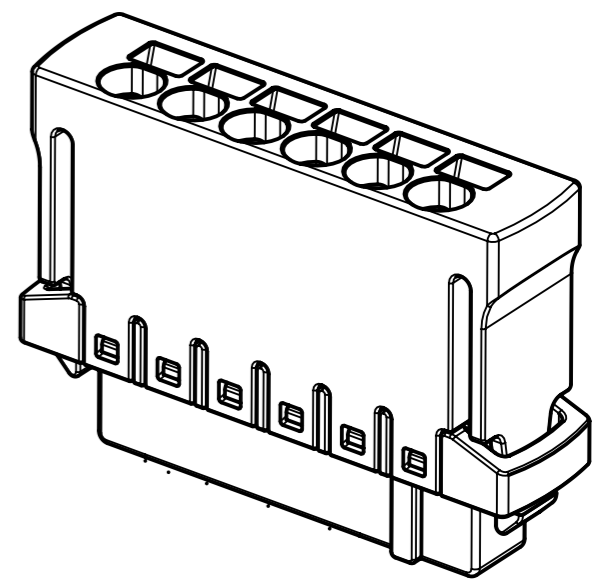
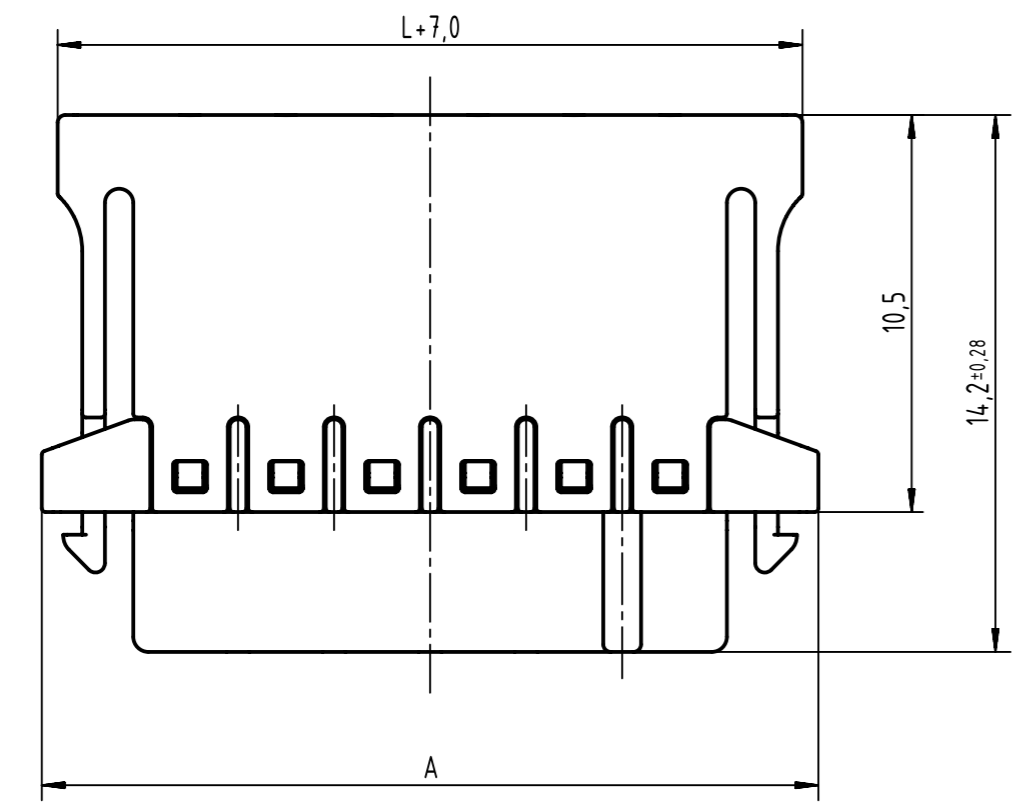
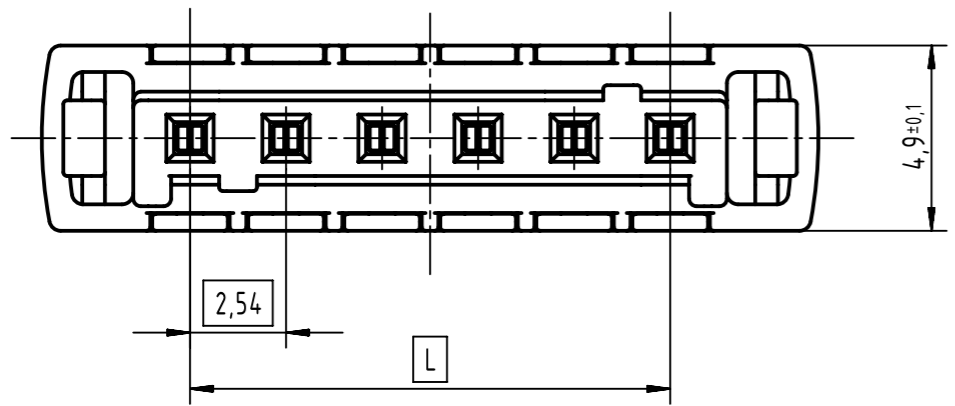
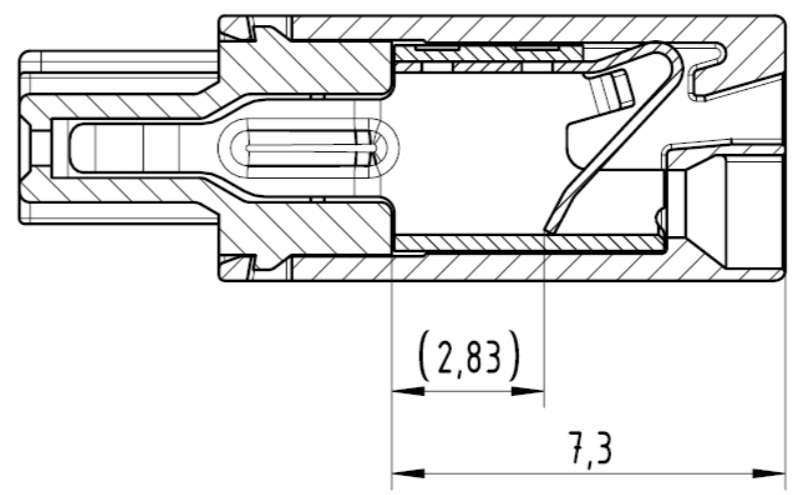


contact-position — 1



Maximum insertion depth



Packaging

Packaging		MOQ	Index	
No. of poles (XX)	Quantity		black	white*
2 - 4	100	1	000	160
5 - 7	75	1	000	160
8 - 10	50	1	000	160
11 - 12	25	1	000	160

part-number 1431XX13101XXX

* only versions with 2 and 3 poles available

12	14311213101XXX	27,94	35,78
11	14311113101XXX	25,40	33,24
10	14311013101XXX	22,86	30,70
9	14310913101XXX	20,32	28,16
8	14310813101XXX	17,78	25,62
7	14310713101XXX	15,24	23,08
6	14310613101XXX	12,70	20,54
5	14310513101XXX	10,16	18,00
4	14310413101XXX	7,62	15,46
3	14310313101XXX	5,08	12,92
2	14310213101XXX	2,54	10,38
number of contacts	part number	L = 2,54 x (pole -1) A	

	All rights reserved	Created by 408257	Inspected by LUOK	Standardisation ROEBEN	Date 2023-03-22	State Final Release
	Department EL PD	Title har-flexicon 2.54 female connector		Doc-Key / ECM-Nr. 100230267/UGD/038/D 500000238445		
HARTING D-32339 Espelkamp	Type TB	Number 1431XX13101XXX		Rev. D	Page 1/1	