

footprint and courtyard / component area

Footprint and courtyard diagram showing dimensions B, C, L, and various offsets for Pin 1 and courtyard. Dimensions include B + 1,27, B + 1,27, 1,1, courtyard, 3,5, 0,2, 4,1, 0,4, 6, $\varnothing 1$ n.p., 2,54, B, B, B + 2,54, B + 2,54, C, C, 0,9, 0,6, and $\varnothing 0,8 \pm 0,05$.

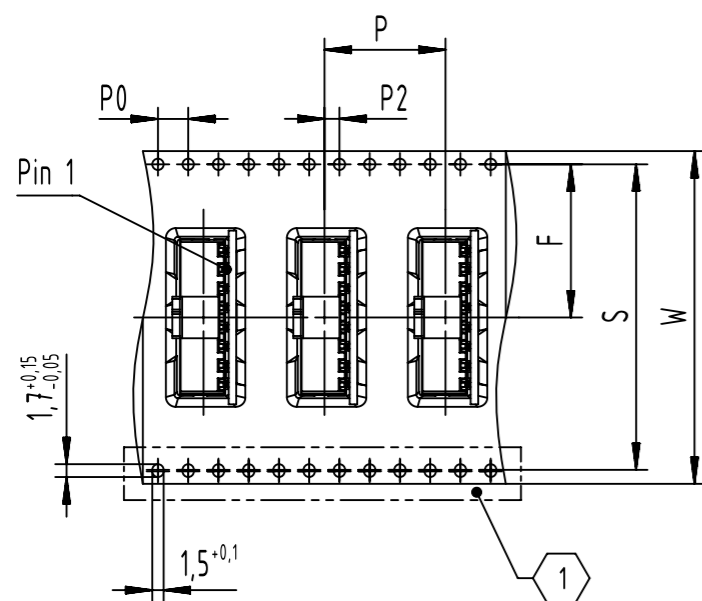
12	14 111213002XXX	27,94	35,79	13,97	18,12
11	14 111113002XXX	25,40	33,25	12,7	16,85
10	14 111013002XXX	22,86	30,71	11,43	15,58
9	14 110913002XXX	20,32	28,17	10,16	14,31
8	14 110813002XXX	17,78	25,63	8,89	13,04
7	14 110713002XXX	15,24	23,09	7,62	11,77
6	14 110613002XXX	12,70	20,55	6,35	10,5
5	14 110513002XXX	10,16	18,01	5,08	9,23
4	14 110413002XXX	7,62	15,47	3,81	7,96
3	14 110313002XXX	5,08	12,93	2,54	6,69
2	14 110213002XXX	2,54	10,39	1,27	5,42
number of contacts	part-number	L = 2,54 x (pole -1)	A	B = L/2	C
	All Dimensions in mm Original Size DIN A3	Scale 5:1	Free size tol.	Ref.	Sub.
	All rights reserved Department EL PD	Created by 408257	Inspected by LUOK	Standardisation ROEBEN	Date 2023-03-22
Title har-flexicon male connector, horizontal					State Final Release
Type TB					Number 14 11XX13002XXX
D-32339 Espelkamp					Doc-Key / ECM-Nr. 100228421/UGD/035/D 50000238445
					Rev. D
					Page 1/2



har-flexicon 2.54 PCB male connector, horizontal



Packaging & tape layout

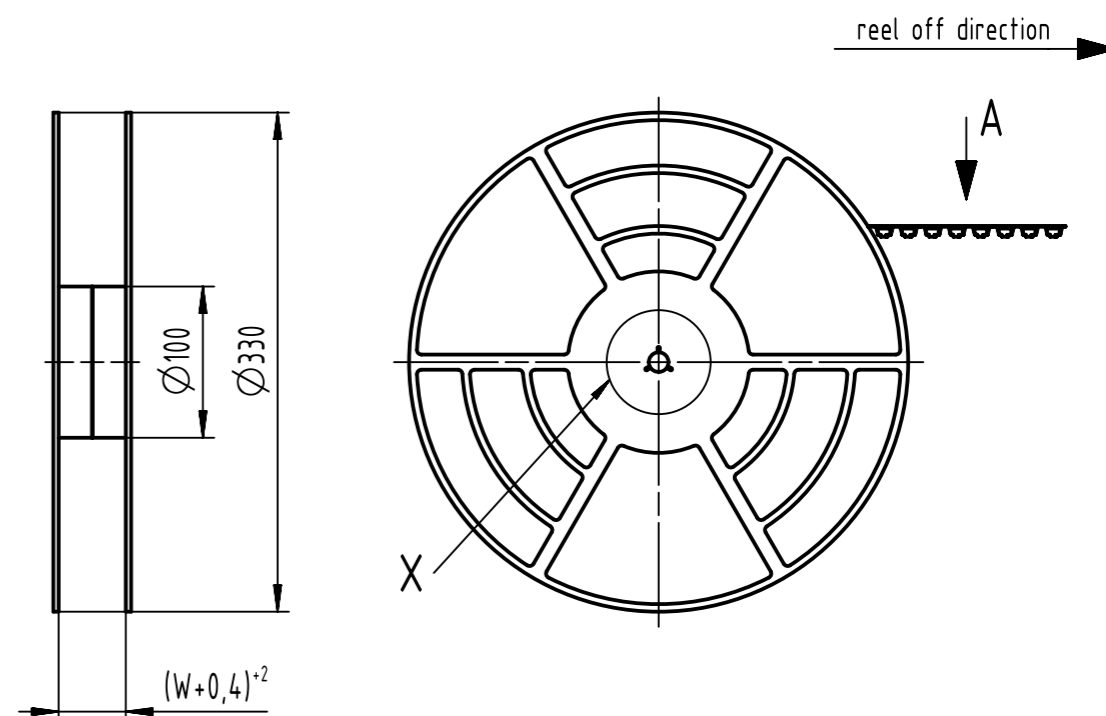


pole	W [mm]	F [mm]	S [mm]	P2 [mm]	P [mm]	P0 [mm]
2	24,0 ^{+0,3} _{-0,1}	11,5 ± 0,1		2,0 ± 0,1	16,0 ± 0,1	4,0 ± 0,1
3						
4	32,0 ± 0,3	14,2 ± 0,1	28,4 ± 0,1	2,0 ± 0,1	16,0 ± 0,1	4,0 ± 0,1
5						
6						
7						
8	44,0 ± 0,3	20,2 ± 0,1	40,4 ± 0,1	2,0 ± 0,15	16,0 ± 0,1	4,0 ± 0,1
9						
10						
11	56,0 ± 0,3	26,2 ± 0,1	52,4 ± 0,1	2,0 ± 0,15	16,0 ± 0,1	4,0 ± 0,1
12						

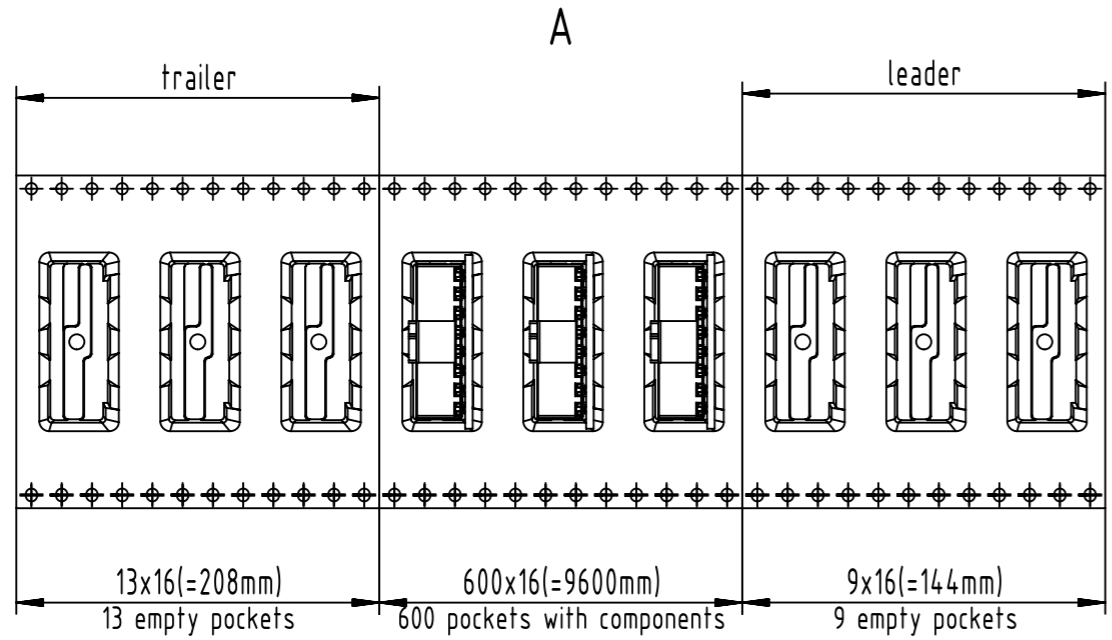
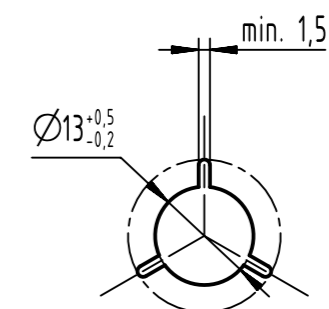
1 no double sprocket holes for 2- and 3-pole numbers

Packaging & tape layout

(1:5)



X (1:1)



Packaging	Index	
	black	white
tape and reel with 600 pcs per reel	000	160
tape with 1 pcs	333	334

part-number 1411 XX 130 YY XXX

102 with guiding pins
10 w/o guiding pins

	All rights reserved	Created by 408257	Inspected by LUOK	Standardisation ROEBEN	Date 2023-03-22	State Final Release
	Department EL PD	Title har-flexicon male connector, horizontal		Doc-Key / ECM-Nr. 100228421/UGD/035/D 50000238445		
HARTING D-32339 Espelkamp	Type TB	Number 1411XX13002XXX		Rev. D	Page 2/2	