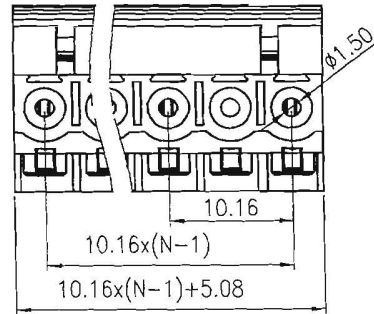


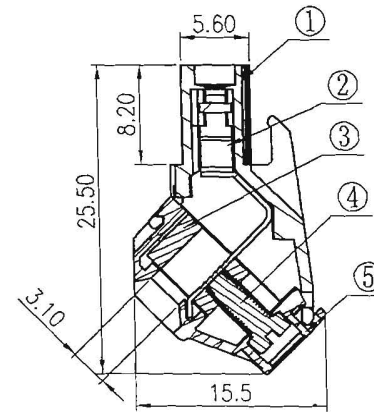
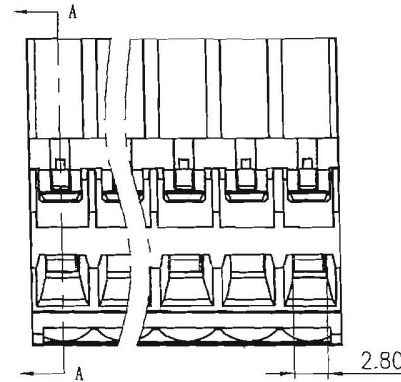
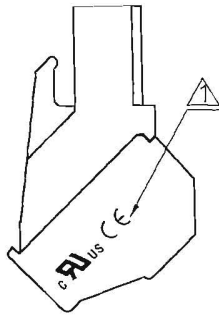
| REVISION RECORD | | | | |
|-----------------|-----|-------------|------|----------|
| REV | ECO | DESCRIPTION | DRFT | DATE |
| △ | | 增加UL, CE刻字 | HD | 10/20/09 |



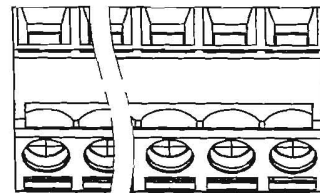
Notes:

1. Pitch: 5.08mm, Poles: 2-11P
2. Rated voltage/current: UL 300V/15A
IEC 320V/20A
3. Operation temperatures: -40°C ~ +105°C
4. Withstanding Voltage: AC2000V/1min
5. Insulation Resistance: 5000MΩ / DC1000V
6. Wire Range: 28~12AWG, 2.5mm²
7. Max. Torque Value: M2.5, 4.08kgf.cm
8. Undimensioned Tolerances:

| Pitch range in mm | | | Nominal dimension range in mm | | | | |
|-------------------|---------|----------|-------------------------------|----------|-----------|------------|------|
| to | over | to | to | over | over | over | |
| 6 | 6 to 10 | 10 to 24 | 30 | 30 to 60 | 60 to 100 | 100 to 150 | ∩ |
| ±0.10 | ±0.15 | ±0.25 | ±0.2 | ±0.3 | ±0.5 | ±0.7 | ±1.0 |



Section A-A



| ITEM | NAME OF PART | NO. OF PART | Q'TY | MATERIAL | NOTES |
|------|---------------------|-----------------------|------|----------------|--------------------|
| 5 | 2EDGKL-5.08 Cover | 1187COYXXA (H) | 1 | PA66 | UL94V-0 |
| 4 | 2EDG Screws (M2.5) | S000001370 (H) | XX | Steel | Cr ⁺ Zn |
| 3 | DG128 Cage | X000000020 (H) | XX | Brass | Ni plated |
| 2 | 2EDGKL-5.08 Clamp | 1187B00010 (H) | XX | Phospor bronze | SnCe plated |
| 1 | 2EDGKL-5.08 Housing | 1187A0Y (2XX-1) A (H) | 1 | PA66 | UL94V-0 |

| | | |
|----------------------------|-------------|---------------|
| MM (INCH) | DFTO L/JH | DATE 05/18/09 |
| TOLERANCES EXCEPT AS NOTED | CHKD | DATE |
| M/M | MFO | DATE 11/16/09 |
| .0 ± | APPLY | DATE |
| .00 ± | | |
| .000 ± | | |
| ANGLES ± 1° | G.E. : | |
| THIRD ANGLE PROJECTION | FINISH : | |
| | SCALE : 1:1 | |

| | |
|---|----------|
| 宁波高正电子有限公司 DEGSON ELECTRONICS CO., LTD | |
| NAME | |
| 2EDGKL-5.08-XXP-2Y-00A (H) | |
| DRAWING NO. 2EDGKL-5.08-E02 | SIZE A3 |
| /PART NO. | REV T1 |
| DO NOT SCALE DRAWING | 10/20/09 |
| SHEET | OF |