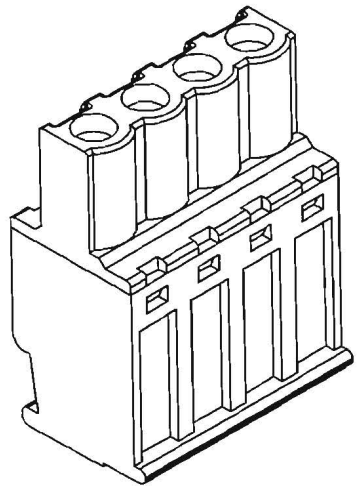
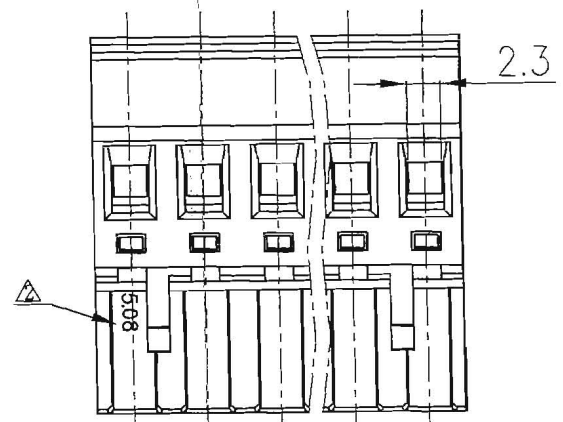
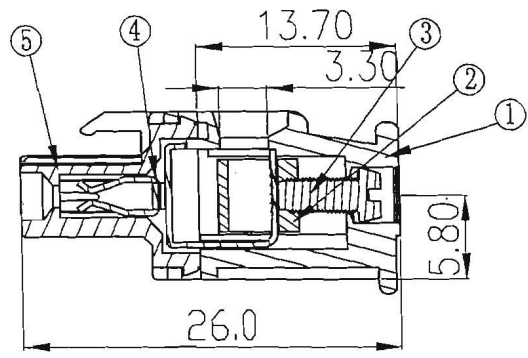
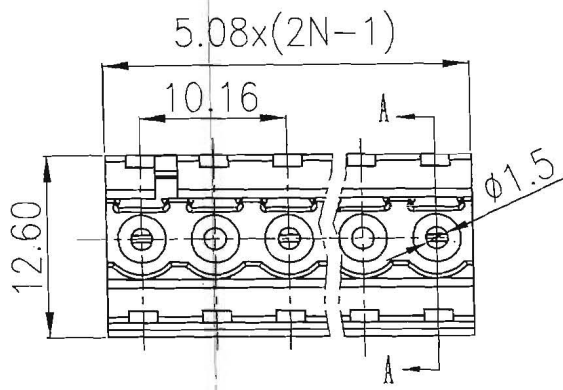


| REVISION RECORD |         |             |         |          |  |
|-----------------|---------|-------------|---------|----------|--|
| REV             | ECO     | DESCRIPTION | DRFT    | DATE     |  |
| △               |         | 增加VDE、CE刻字  | WLM     | 02/10/09 |  |
| △               | 11-0184 | 盖板增加间距刻字    | lasting | 07/12/11 |  |

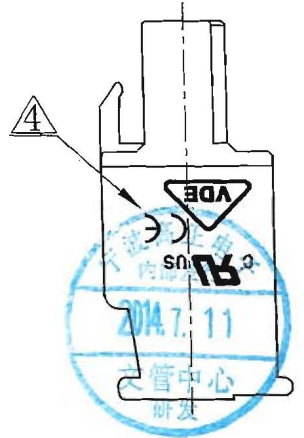
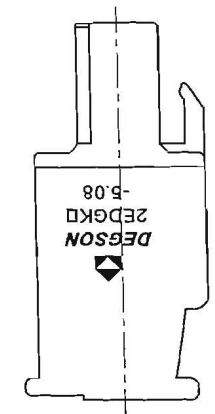


- Notes:
1. Pitch:10.16mm, Poles:2-12P
  2. Rated voltage/current:UL 300V/15A  
VDE 320V/10A
  3. Operation temperatures:-45℃~+105℃
  4. Withstanding Voltage:AC2000V/1Min
  5. Insulation Resistance:5000Ω/DC1000V
  6. Wire Range:28~12AWG, 2.5mm<sup>2</sup>
  7. Max. Torque Value:M2.5, 4.08kgf. cm
  8. Undimensioned Tolerances:

| Pitch range in mm |       | Nominal dimension range in mm |      |      |      |      |      |
|-------------------|-------|-------------------------------|------|------|------|------|------|
| to                | over  | to                            | over | to   | over | to   | over |
| 6                 | 10    | 10                            | 24   | 30   | 60   | 100  | 150  |
| ±0.10             | ±0.15 | ±0.25                         | ±0.2 | ±0.3 | ±0.5 | ±0.7 | ±1.0 |



Section B-B



| ITEM | NAME OF PART             | NO. OF PART    | Q'TY | MATERIAL        | NOTES               |
|------|--------------------------|----------------|------|-----------------|---------------------|
| 1    | 2EDGKA/B-5.08(H) HOUSING | 1028A0YXXA (H) | 1    | PA66            | UL94V-0             |
| 5    | 2EDGKA/B-5.08 (H) COVER  | 1028C0YXXA (H) | 1    | PA66            | UL94V-0             |
| 4    | 2EDGKA/B-CLAMP           | 1028B00010 (H) | XX   | Phosphor Bronze | Ni plated           |
| 3    | 2EDG "—"SCREW-M2.5       | S000000980 (H) | XX   | Stell           | Cr <sup>3+</sup> Zn |
| 2    | DG128 CAGE               | X000000020 (H) | XX   | Brass           | Ni plated           |

|  |  |  |  |
|--|--|--|--|
| DFTD ZYH - DATE 10/30/07<br>CHKD <i>WJ</i> - DATE 7/14/11<br>MFO - DATE<br>APPVL <i>Hang</i> - DATE 07/16/11 |  | 宁波高正电子有限公司<br>DEGSON® DEGSON ELECTRONICS CO., LTD                |  |
| TOLERANCES EXCEPT AS NOTED<br>MM .00 ± ±<br>.000 ± ±   |  | NAME<br>2EDGKA-5.08-XXP-2Y-00A(H)                                |  |
| ANGLES ± 1°<br>THIRD ANGLE PROJECTION  |  | DRAWING NO. 2EDGKA-5.08-E11<br>/PART NO.<br>DO NOT SCALE DRAWING |  |
| SCALE :  |  | SHEET 1 OF 1   |  |