

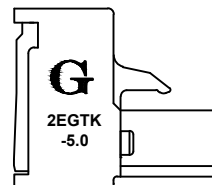
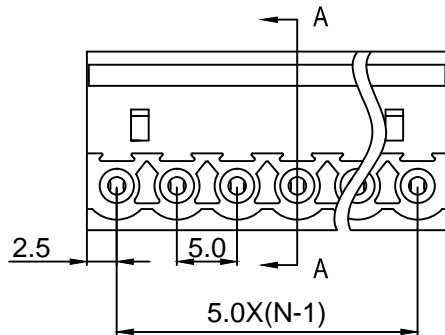
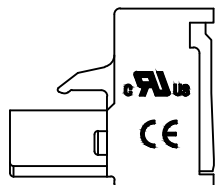
Material :

- (a) Housing : PA66(UL94V-0)
- (b) Cover : PA66(UL94V-0)
- (c) Contact : Phosphor Bronze
- (d) Cage : Brass , Ni Plated
- (e) Screws : Steel , Cr³⁺Zn Plated

Electrical :

- 1. Rated Voltage : 300V UL IEC
- 2. Rated Current : 15A 320V 20A
- 3. Torque Value : M2.5 , 3.54Lb.in M2.5 , 0.4N.m
- 4. Wire Range : 28-12AWG 2.5mm²
- 5. Stripping Length : 7-8mm
- 6. Withstanding Voltage : AC1600V/1Min.
- 7. Operating Temperature : -40°C~+105°C
- 8. RoHS Compliance
- 9. Safety Approval :
- 10. Undimensioned Tolerances:

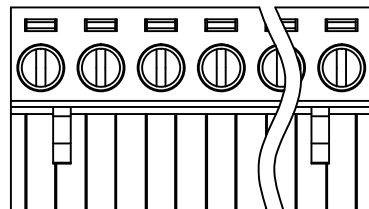
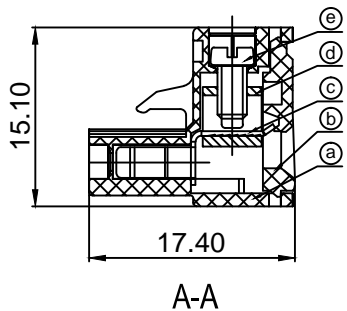
Pitch Range In mm		Nominal Dimension Range In mm					
≤6	6 ~ 10	10 ~ 24	≤30	30 ~ 60	60 ~ 100	100 ~ 150	0.05/10
±0.10	±0.15	±0.25	±0.20	±0.30	±0.50	±0.70	±0.1°



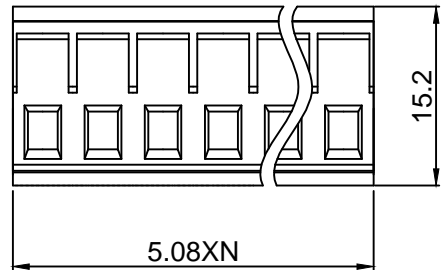
2EGTK - 5.0 - XXP - X X - 00 AH

① ② ③ ④ ⑤ ⑥ ⑦

- ① Series No.
- ② Pitch
- ③ Poles
02 02Contacts
03 03Contacts
...
24 24Contacts
- ④ 1 Single Pitch
2 Double Pitch
- ⑤ Color: 1 Grey
2 Blue
3 Black
4 Green(Standard For AH)
5 Orange
6 Red
7 Transparent
8 Yellow
9 White
- ⑥ Customer Request: 00--Standard M2.5
- ⑦ AH--Standard(PA66)



DETACHED LISTS	Grolten 宁波冠泰电子有限公司		NINGBO GOLTEN ELECTRONICS CO., LTD.							
	APPD: MA_5/23/16'	PART NO. 2EGTK-5.0-XXP-XX-00AH								
	CHKD: Yu_5/22/16'									
	DRFT: Chen_5/21/16'	DRAWING NO.								
 THIRD ANGLE PROJECTION		 MM (INCH)	DO NOT SCALE DRAWING	<table border="1" style="width: 100%; border-collapse: collapse;"> <tr> <td>REV</td> <td>1</td> </tr> <tr> <td>SHEET</td> <td>1/1</td> </tr> <tr> <td>SCALE</td> <td>1/1</td> </tr> </table>	REV	1	SHEET	1/1	SCALE	1/1
REV	1									
SHEET	1/1									
SCALE	1/1									



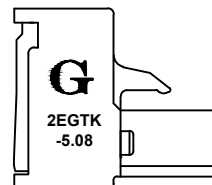
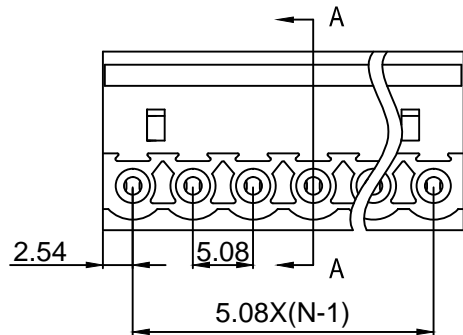
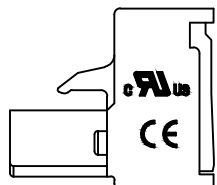
Material :

- (a) Housing : PA66(UL94V-0)
- (b) Cover : PA66(UL94V-0)
- (c) Contact : Phosphor Bronze
- (d) Cage : Brass , Ni Plated
- (e) Screws : Steel , Cr³⁺Zn Plated

Electrical :

- | | | |
|------------------------------|------------------|--------------------|
| | UL | IEC |
| 1.Rated Voltage : | 300V | 320V |
| 2.Rated Current : | 15A | 20A |
| 3.Torque Value : | M2.5 , 3.54Lb.in | M2.5 , 0.4N.m |
| 4.Wire Range: | 28-12AWG | 2.5mm ² |
| 5.Stripping Length : | 7-8mm | |
| 6.Withstanding Voltage : | AC1600V/1Min. | |
| 7.Operating Temperature : | -40°C~+105°C | |
| 8.RoHS Compliance | | |
| 9.Safety Approval : | UL | |
| 10.Undimensioned Tolerances: | | |

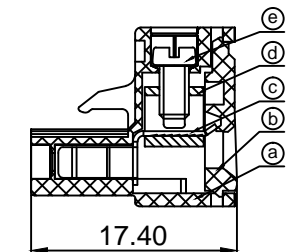
Pitch Range In mm		Nominal Dimension Range In mm					—	∩	∇
≤6	6 ~ 10	10 ~ 24	≤30	30 ~ 60	60 ~ 100	100 ~ 150	>150	0.05/10	
±0.10	±0.15	±0.25	±0.20	±0.30	±0.50	±0.70	±1.00	±0.1°	



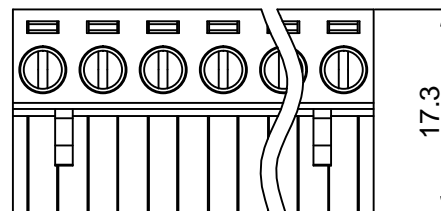
2EGTK - 5.08 - XXP - X X - 00 AH

① ② ③ ④ ⑤ ⑥ ⑦

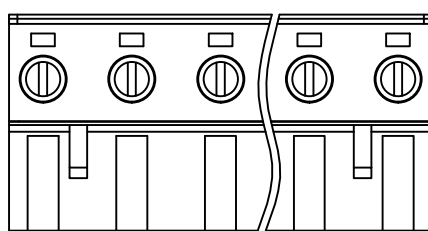
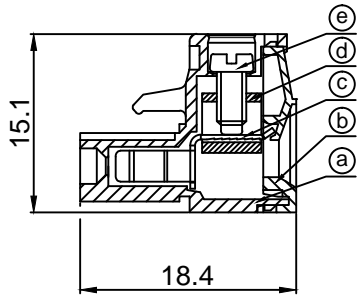
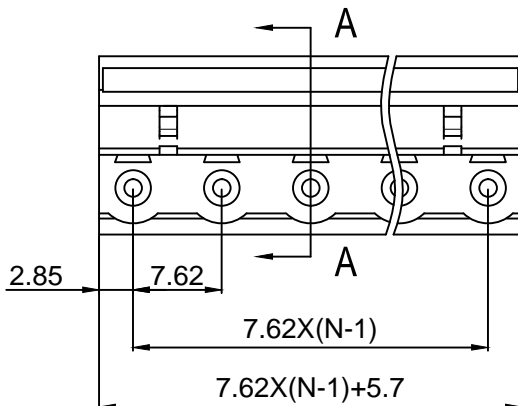
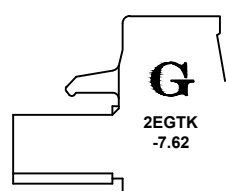
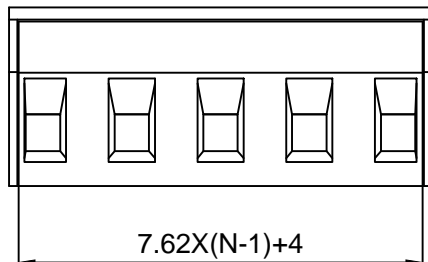
- ① Series No.
- ② Pitch
- ③ Poles
02 02Contacts
03 03Contacts
...
24 24Contacts
- ④ 1 Single Pitch
2 Double Pitch
- ⑤ Color: 1 Grey
2 Blue
3 Black
4 Green(Standard for AH)
5 Orange
6 Red
7 Transparent
8 Yellow
9 White
- ⑥ Customer Request: 00--Standard M2.5
- ⑦ AH--Standard(PA66)



A-A



DETACHED LISTS	Grolten NINGBO GOLTEN ELECTRONICS CO., LTD.		宁波冠泰电子有限公司		
	APPD: MA_7/15/16'	CHKD: Yu_7/14/16'	PART NO. 2EGTK-5.08-XXP-XX-00AH		
	DRFT: Chen_7/13/16'	DRAWING NO.		REV	1
	 THIRD ANGLE PROJECTION		MM (INCH)	DO NOT SCALE DRAWING	SHEET
				SCALE	1/1



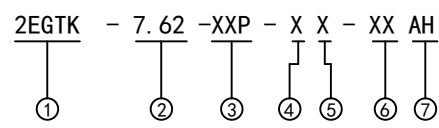
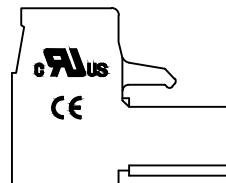
Material :

- (a) Housing : PA66(UL94V-0)
- (b) Cover : PA66(UL94V-0)
- (c) Contact : Phosphor Bronze
- (d) Cage : Brass , Ni Plated
- (e) Screws : Steel , Cr³⁺Zn Plated

Electrical :

- 1.Rated Voltage : 300V UL, 400V IEC
- 2.Rated Current : 15A, 20A
- 3.Torque Value : M2.5 , 3.54Lb.in M2.5 , 0.4N.m
- 4.Wire Range: 28-12AWG 2.5mm²
- 5.Stripping Length : 7-8mm
- 6.Withstanding Voltage : AC1600V/1Min.
- 7.Operating Temperature : -40 °C~+105 °C
- 8.RoHS Compliance
- 9.Safety Approval :
- 10.Undimensioned Tolerances:

Pitch Range In mm			Nominal Dimension Range In mm					-	∩	∇
≤6	6 ~ 10	10 ~ 24	≤30	30 ~ 60	60 ~ 100	100 ~ 150	>150	0.05/10	∠	
±0.10	±0.15	±0.25	±0.20	±0.30	±0.50	±0.70	±1.00	±0.1°		



- ① Series No.
- ② Pitch
- ③ Poles
02 02Contacts
03 03Contacts
...
24 24Contacts
- ④ 1 Single Pitch
2 Double Pitch
- ⑤ Color: 1 Grey
2 Blue
3 Black
4 Green(Standard For AH)
5 Orange
6 Red
7 Transparent
8 Yellow
9 White
- ⑥ Customer Request: 100--Standard M2.5
- ⑦ AH--Standard(PA66)

DETACHED LISTS	Grolten NINGBO GOLTEN ELECTRONICS CO., LTD.		宁波冠泰电子有限公司		
	APPD: MA_8/13/16'	CHKD: Yu_8/12/16'	PART NO. 2EGTK-7.62-XXP-XX-100AH		
	DRFT: Chen_8/11/16'	DRAWING NO.		REV	1
	 THIRD ANGLE PROJECTION		MM (INCH)	DO NOT SCALE DRAWING	SHEET
				SCALE	1/1