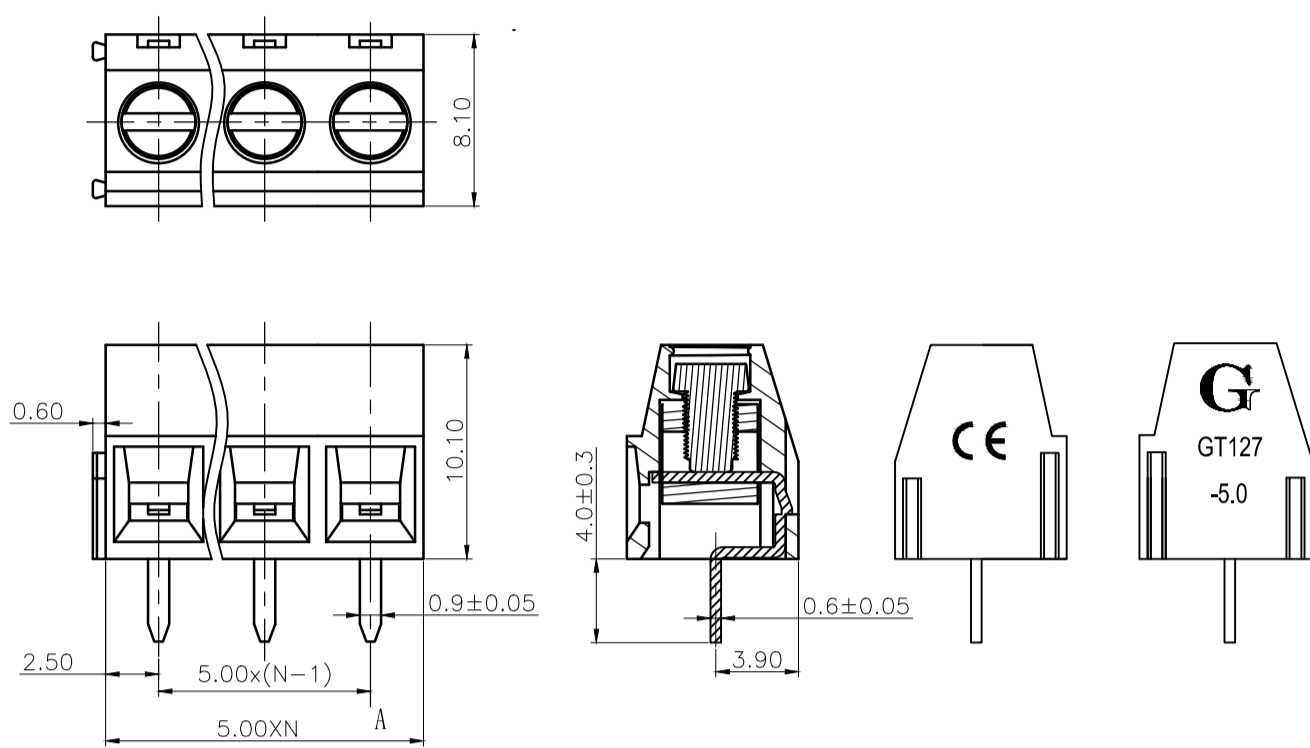




PART NO.: GT127-5.0

- PCB Screw Terminal Block
- Nominal Current (IEC): 15A
- Rated Voltage (IEC): 250V
- Number of Positions: 2P,3P-24P
- Standard Color: Green
- Contact Surface: Tin
- Connection Method: Screw Connection

DRAWINGS:



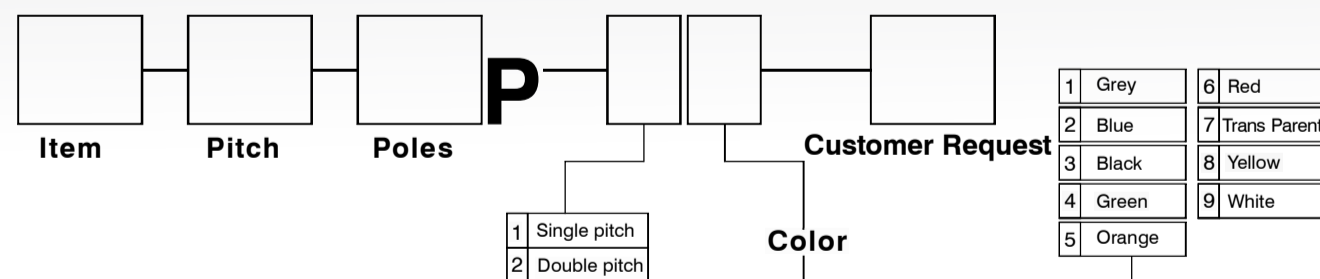
TECHNICAL DATA:

| Electrical | | |
|-----------------------|---------------------------------------|--------------------|
| Standard | UL | IEC |
| Rated voltage | 300V | 250V |
| Rated current | 12A | 15A |
| Wire range | 26-14AWG | 1.5mm ² |
| With standing voltage | AC2000V/1Min | |
| Mechanical | | |
| Torque | 0.4Nm(3.5Lb-In.) | |
| Ambient temperature | -40°C~+105°C | |
| Strip length | 6mm | |
| Dimensions | | |
| Pitch | 5.0mm(.197") | |
| Poles | 2P, 3P-24P | |
| Material | | |
| Housing | PA66.U94V-0 | |
| Screws | M2.5,steel,Cr ³⁺ Zn Plated | |
| Pin header | Brass,Tin plated | |
| Wire guard | Brass,Ni plated | |

APPLICATION:

Industry, Security, Instrument, Machinery, Energy, Communication, Lighting, Construction, Electrical

HOW TO ORDER:



PACKING:

| Item | Number of Poles | PCS/Box A | PCS/Box B | PCB/Carton | GW/CTNS(KG) |
|-----------|-----------------|-----------|-----------|------------|-------------|
| GT127-5.0 | | 1000 | | 12000 | 22 |
| | | 500 | | 6000 | 16 |
| | 2 | | 1650 | 6600 | 24 |
| | 3 | | 1260 | 5040 | 23 |
| | 4 | | 1100 | 4400 | 25 |
| | 5 | | 965 | 3860 | 24 |
| | 6 | | 825 | 3300 | 23 |
| | 7 | | 730 | 2920 | 23 |
| | 8 | | 640 | 2560 | 23 |
| | 9 | | | | |
| | 12 | | 550 | 2200 | 24 |
| | 13 | | | | |
| | 14 | | 450 | 1800 | 23 |
| | 15 | | | | |
| | 16 | | 400 | 1600 | 23 |

Remark: Box A Dimension: 20*13.5*7(cm); Box B Dimension: 26*20*10(cm)
Carton Dimension: 42*28*23(cm)