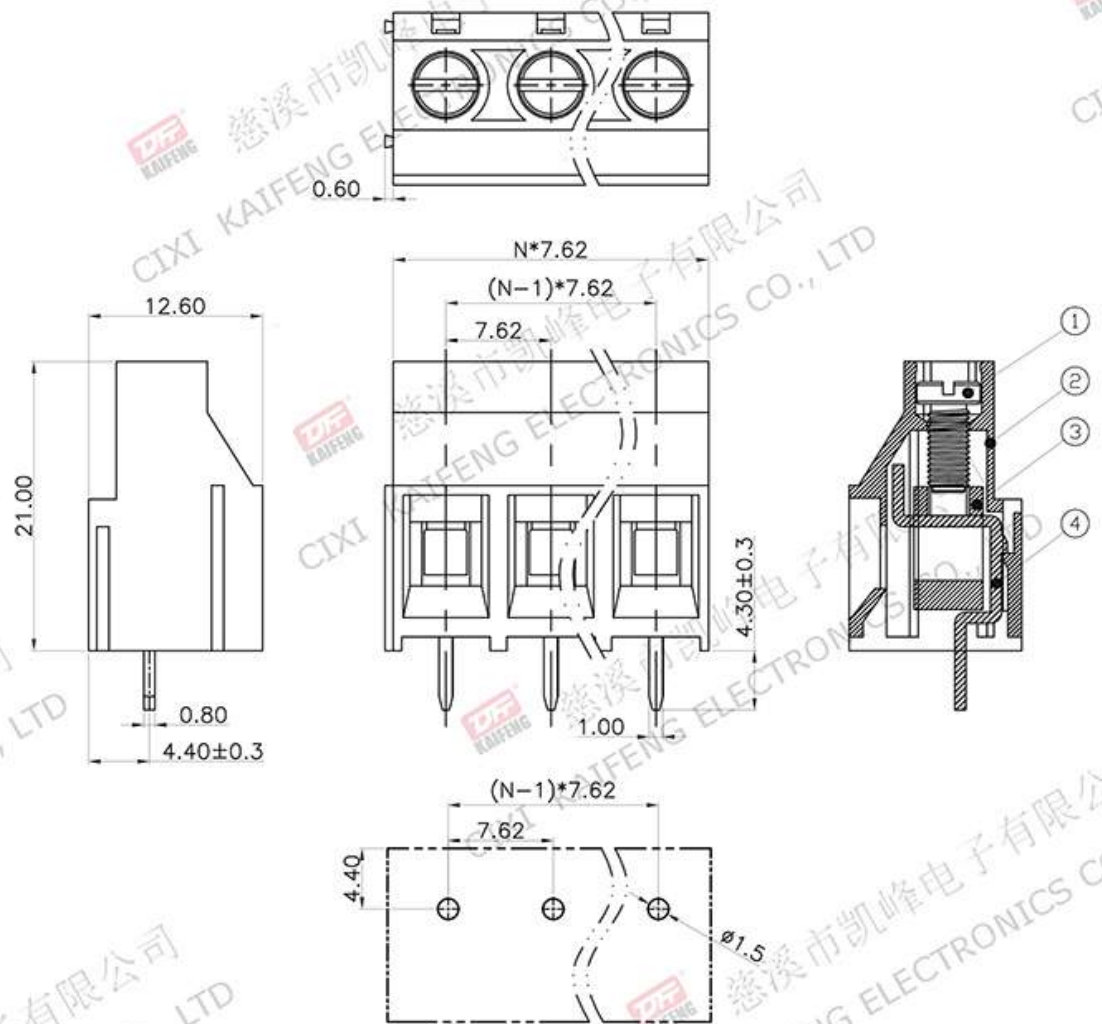


REV.	DESCRIPTION	DATE	DRAFTER	APPROVER
A1	DWG.REL	2020.05.22	DENG	JIN



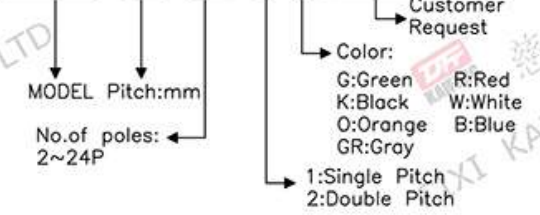
- Material
 - ØScrews : M3.0 steel, Zinc plated, *- slot type
 - ØHousing : PA66, UL94V-0
 - ØClamp : Copper alloy, Ni plated
 - ØPin header : Copper alloy, Tin plated

- Electrical
 - UL IEC
 - Rated voltage : 300V 750V
 - Rated current : 30A 41A
 - Contact Resistance: 20mΩ
 - Insulation resistance: 500MΩ/DC500V
 - Withstanding Voltage : AC3000V/1min
 - Wire range: 26-10AWG 6.0mm²

- Mechanical
 - Operating temperature: -40°C ~ +105°C
 - Soldering temperature: 250°C ± 5/5sec
 - Torque: 0.5N.m (4.43Lb.in)
 - Strip length: 6-7mm

• RoHS compliance

HOW TO ORDER
KF950A-9.5-XXP-1 X-XXXXX



P.C.B.LAYOUT

Pitch range	Nominal dimension range				PROJECTION	TITLE		
>0	>6	>10	>0	>30	0.1/10	KF950A-7.62-XXP-1X		
6	10	24	30	60	<	SHEET SIZE A4		
100	150	>150	100	150		SERIES KF950A		
±0.15	±0.20	±0.30	±0.30	±0.50	±0.70	±1.00	±1.30	±2
DRAWING TYPE		CUSTOMER DRAWING		DRAWING NO.		W15000832		
SCALE		1:1		SHEET		1 OF 1		

DF 慈溪市凯峰电子有限公司
CIXI KAIFENG ELECTRONICS CO.,LTD