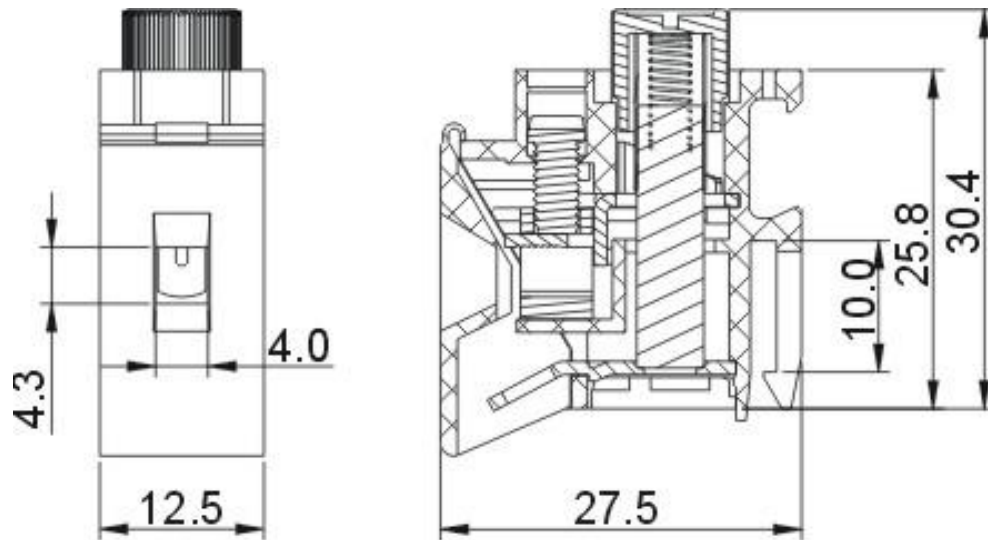




DEGSON ELECTRONICS CO., LTD.

Product Specification



| | | |
|----------------------|--|------------------------|
| APPROVAL | CE | |
| Electrical | | |
| Standard | UL | IEC |
| Rated voltage | 300V | 250V |
| Rated current | 10A | 10A |
| Wire range | 20-10AWG | 0.5-4.0mm ² |
| Withstanding voltage | AC2000V/1Min | |
| Mechanical | | |
| Torque | 0.8Nm(7.0Lb-In) | |
| Ambient temperature | -40°C~+105°C | |
| Strip length | 10-12mm | |
| Dimensions | | |
| Pitch | 12.5mm(.462") | |
| Poles | 1P | |
| Material | | |
| Housing | PA66,UL94V-0 | |
| Screws | M3.5, Steel,Cr ³⁺ Zn plated | |
| Contact | Copper, Tin plated | |
| Cage | Brass ,Ni plated | |

HOW TO ORDER :

- **P** - -

| | | |
|---|---|---|
| X | X | X |
|---|---|---|

Customer Request

Series number **No. of pole** **Color**

| | |
|---|--------------|
| 1 | Single pitch |
| 2 | Double pitch |

| | | | | | |
|---|-------|---|--------|---|--------------|
| 1 | Grey | 4 | Green | 7 | Trans Parent |
| 2 | Blue | 5 | Orange | 8 | Yellow |
| 3 | Black | 6 | Red | 9 | White |

| | |
|--------------------------|---|
| mm (INCH) | DEGSON ELECTRONICS CO., LTD. |
| THROANGLE PROJECTION | NAME TSCF4 |