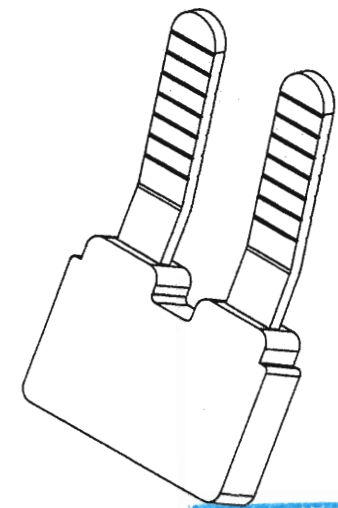
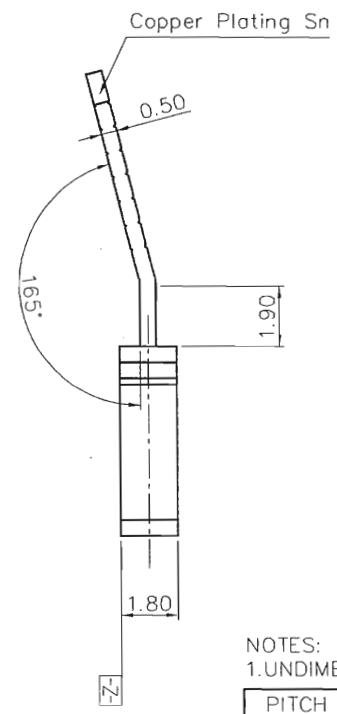
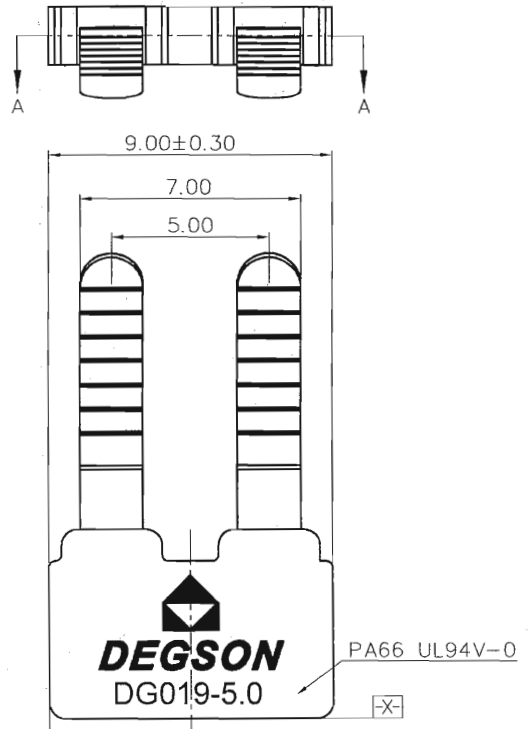
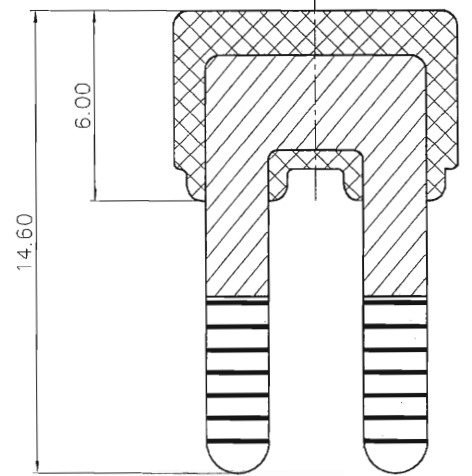


REVISION RECORD				
REV	ECN	DESCRIPTION	DRFT	DATE



文管中心
研发专用
2015.05.16
(仅限内部使用, 对外无效)



NOTES:
1.UNDIMENSIONED TOLERANCES:

PITCH RANGE IN MM		NOMINAL DIMENSION RANGE IN MM					
TO	OVER	OVER		OVER	OVER	OVER	
6	6 TO 10	10 TO 24	TO 30	30 TO 60	60 TO 100	100 TO 150	OVER 150
±0.10	±0.15	±0.25	±0.20	±0.30	±0.50	±0.70	±1.00 0.05/10

1	DG019-5.0-02P-1Y-00A(H)	1030LY02A(H)	1		
ITEM	NAME OF PART	NO. OF PART	Q"TY	MATERIAL	NOTES
TOLERANCES EXCEPT AS NOTED .X ± .X' ± .XX ± .XX' ± .XXX ± .XXX' ±		MATERIAL: FINISH: PART NO.:		宁波高正电子有限公司 DEGSON ® DEGSON ELECTRONICS CO., LTD	
ANGLES ± 1' THIRD ANGLE PROJECTION		APPD: <i>Aaron 5/12/15</i> CHKD: <i>Alan 5/12/15</i> DRFT: LZT 10/11/12"		NAME: DG019-5.0-02P-1Y-00A(H) TITLE: ASSEMBLY DRAWING DRAWING NO.: DG019-5.0-E01	
DO NOT SCALE DRAWING			SCALE	1:1	SHEET 1/1

H
G
F
E
D
C
B
A

H
G
F
E
D
C
B
A