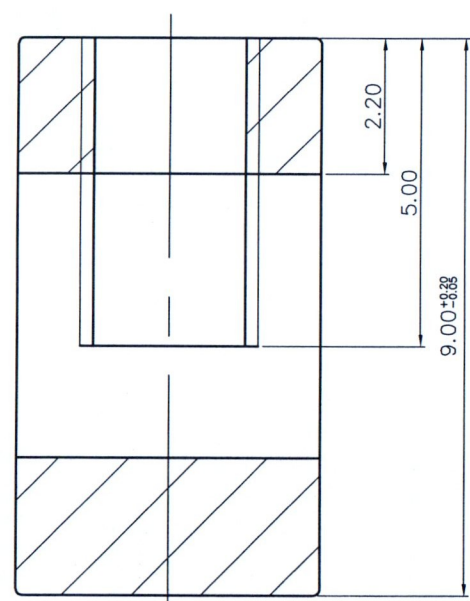
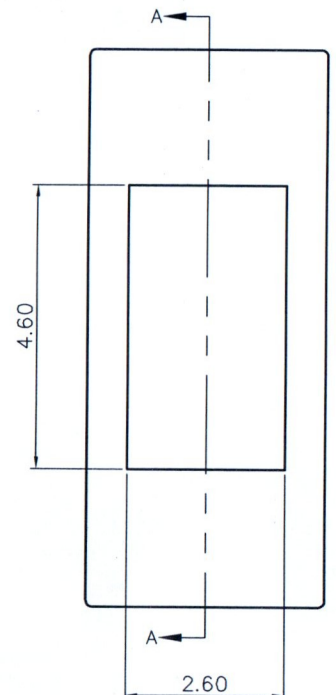
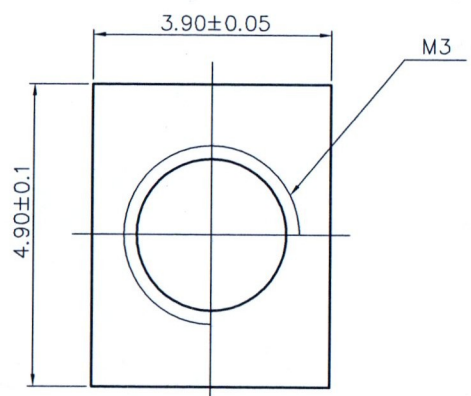


REVISION RECORD				
REV	ECN	DESCRIPTION	DRFT	DATE



仅供参考图
 签字: 张五华
 日期: 11.13.11

1	Cage	Brass	M3/Ni Plated
ITEM	NAME OF PART	MATERIAL	NOTES

DETACHED LISTS	MM (INCH)		MATERIAL:		宁波高正电子有限公司 DEGSON® DEGSON ELECTRONICS CO., LTD		
	TOLERANCES EXCEPT AS NOTED		FINISH:				
	.X ± 0.1	.X' ±	PART NO.:		NAME:		
	.XX ± 0.05	.XX' ±	X000000200		DG129-Cage		
	.XXX ± 0.01	.XXX' ±	APPD: <i>Mark Zhang</i>		TITLE: CAGE DRAWING		
ANGLES ± 1°		CHKD: <i>[Signature]</i>		DRAWING NO.: DG129-M01		REV	T5
		DRFT: Zhuwm 04/20/06"		DO NOT SCALE DRAWING		SCALE	1:1
						SHEET	1/1