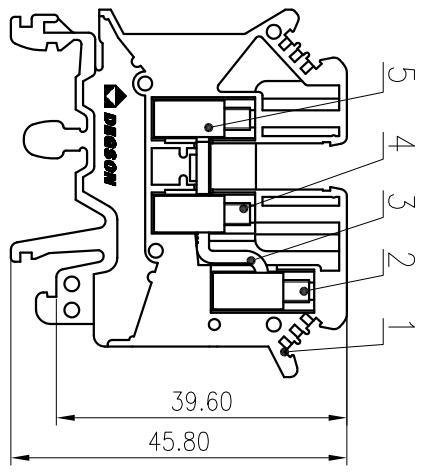
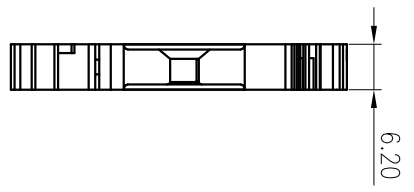
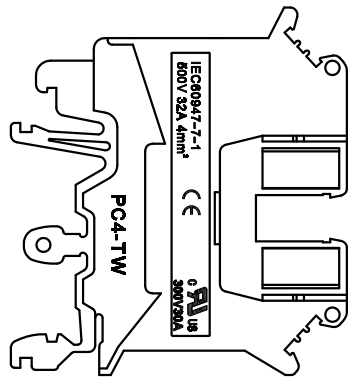
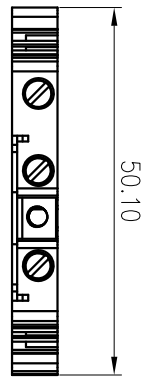


未注公差/General Tolerances(mm)	
0	>3
~	~10
3	6
±0.12	±0.18
>5	>10
>10	>18
>18	>30
>30	>50
>50	>80
>80	>120
>120	>180
>180	>250
>250	>315
>315	>400
>400	>500
>500	>1000
±0.1/10	±0.1/10
±0.1/10	±0.1/10



ITEM	NAME OF PART	MATERIAL	NOTES
1	Housing	PA66	UL94V-0
2	Screw	Copper alloy	Ni Plated
3	Current Carrier	Copper	Sn Plated
4	Screw	Copper alloy	M3/Ni Plated
5	Cage	Copper alloy	M3/Ni Plated

UL 标准/UL Standard:	B	C	D
额定电压/电流/Rated Voltage(V)/Current(A)	300/30	/	300/10
IEC 标准/IEC Standard:	/		
过压类别/Overvoltage Category/污染等级/Pollution Degree	III/3	/	/
额定电压/电流/Rated Voltage(V)/Current(A)	500/32	/	/
额定脉冲电压(KV)/Rate Impulse Voltage(KV)	6.0	/	/
螺丝扭矩/Torque Tightening(N.m/Lb.in)	M3, 0.5/4.43		
线径范围(硬线和软线)/Wire Range(rigid and flexible)(mm ² /AWG)	0.2-4/10-30str		
间距/Pitch(mm)/线数范围/Poles	6.20		
剥线长度/Stripping length(mm)	8-10		
使用温度范围/Operating temperature(C)	-40~+105		
符合RoHS环保要求/Conform to RoHS	Yes		
标准颜色编号/Standard color number:	/		
PANTONE / RAL	/		

MATERIAL: SURFACE:

MAT NO.: /

STATUS: /

APPD: Li GL 2020.04.03

CHKD: Mgo J 2020.04.03

DRT: XLM 2014.03.15

NAME: **DEGSON** 宁波高松电子有限公司
NINGBO DEGSON ELECTRICAL CO., LTD

DRAWING NO.: PC4-TW-C01

TYPE: CUSTOMER DRAWING

SCALE: 1:1

REV	ECN	DESCRIPTION	DRT	DATE	SIZE: A4	TYPE: CUSTOMER DRAWING	SCALE: 1:1	REV	T0
1					mm / inch			1/1	