

REVISION RECORD				
REV	ECN	DESCRIPTION	DRFT	DATE
①	19-0227	Change design	ZYP	2019.06.05

NOTES1:

UL Standard

1. Rated voltage/current : 300V / 6.3A
2. Withstanding voltage : AC1600V/1Min.
3. Torque value : M3 , 4.43Lb.in
4. Wire range : 16~12AWG

IEC Standard

1. Pollution degree	3
Overvoltage category	III
Rate impulse voltage(KV)	3.0KV
Rate voltage(V)	500V
Rate current(A)	6.3 A

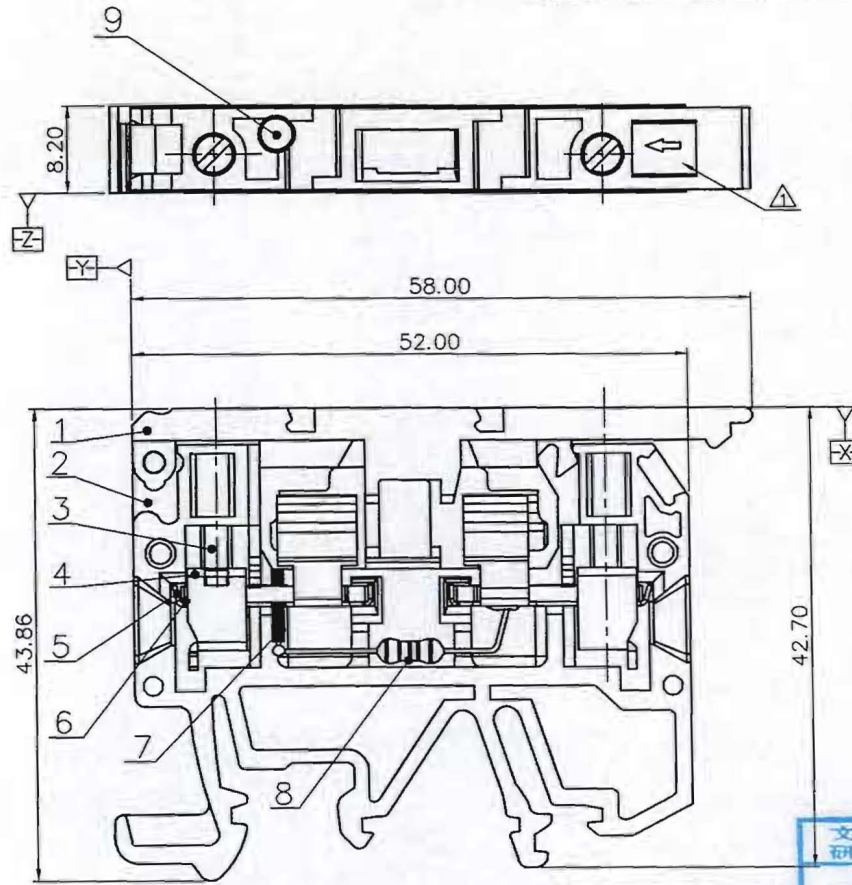
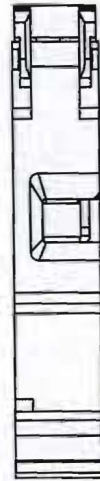
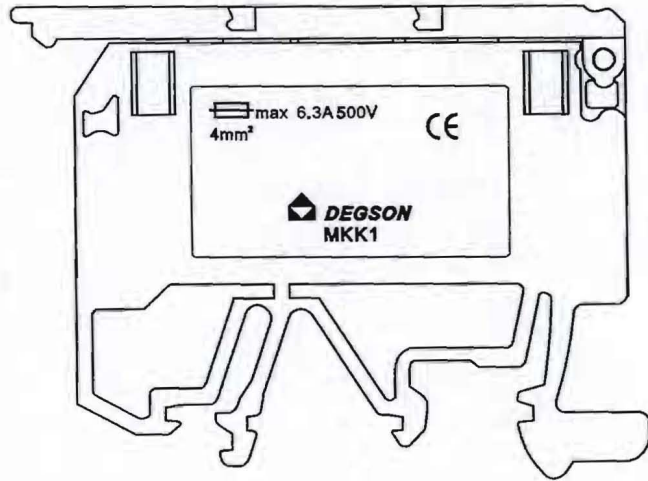
2. Torque value : M3 , 0.5N·m
3. Wire range : 4.0mm<sup>2</sup>

NOTES2:

1. Dimension shall be interpreted per ASME Y14.5-2009
2. Pitch : 8.2mm, Poles : 01P
3. Stripping length : 9.0mm
4. Operating temperature: -40°C~+105°C
5. Undimensioned tolerances:

Pitch Range In mm		Nominal Dimension Range In mm							
TO	Over	Over	TO	Over	Over	Over	Over		
6	6 TO 10	10 TO 24	30	30 TO 60	60 TO 100	100 TO 150	150	0.1/10	
	±0.15	±0.20	±0.30	±0.30	±0.50	±0.70	±1.00	±1.30	±2'

6. RoHS Compliance



文管中心  
研 发 部  
2019.02  
(仅限内部使用, 对外无效)

ITEM	NAME OF PART	MATERIAL	NOTES
2	Housing	PA66	UL94V-0
1	Fuse housing	PA66	UL94V-0

ITEM	NAME OF PART	MATERIAL	NOTES
9	Led red light		
8	Resistor(150KΩ)		
7	Wire saddle		
6	Bridge	Steel	Zn Plated
5	Clamp	Phosphor bronze	Sn Plated
4	Cage	SPCC	M3/Zn Plated
3	Screw	Steel	M3/Zn Plated

PART NO.: /

APPD: *Advan 2019.7.17*

CHKD: 1

DRFT: XMY 2016.05.07

THIRD ANGLE PROJECTION

DEGSON® 宁波高松电子有限公司  
NINGBO DEGSON ELECTRICAL CO., LTD

NAME: MKK1-LD-01P-1Y-00A(H)

TITLE: CUSTOMER DRAWING

DRAWING NO.: MKK1-LD-C01

DO NOT SCALE DRAWING

SCALE: 1:1