

SW-1 Series

□ S.W.C Thermal Cutoff SW-1 Series Specification

온도 정격

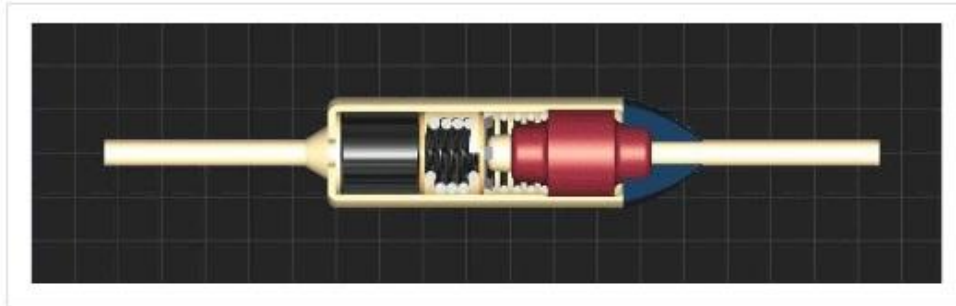
Cat NO.	Tf	Cutoff temperature	Th	Tm (VDE)	K-mark	UL	C-UL	VDE	TUV	CCC	PSE
SW-102T	72℃	70℃+2℃,-2℃	57℃	200℃	●	●	●	●	●	●	●
SW-105T	77℃	77℃+0℃,-4℃	62℃	200℃	●	●	●	●	●	●	●
SW-109T*	84℃	84℃+0℃,-5℃	69℃	180℃	●	●	●	●	●	●	●
SW-152T*	90℃	90℃+0℃,-4℃	75℃	180℃	●	●	●	●	□	●	●
SW-106T*	91℃	91℃+0℃,-4℃	76℃	180℃	●	●	●	●	□	●	●
SW-153T*	93℃	93℃+0℃,-5℃	78℃	180℃	●	●	●	●	□	●	●
SW-104T	98℃	98℃+2℃,-2℃	83℃	190℃	●	●	●	●	●	●	●
SW-108T*	100℃	100℃+0℃,-5℃	85℃	190℃	●	●	●	●	●	●	●
SW-110T*	109℃	109℃+0℃,-5℃	94℃	190℃	●	●	●	●	●	●	●
SW-111T*	121℃	121℃+0℃,-5℃	106℃	200℃	●	●	●	●	●	●	●
SW-115T	126℃	126℃+0℃,-4℃	111℃	200℃	●	●	●	●	●	●	●
SW-129T	128℃	128℃+0℃,-5℃	113℃	200℃	●	●	●	●	●	●	●
SW-114T*	139℃	139℃+0℃,-4℃	124℃	200℃	●	●	●	●	●	●	●
SW-138T*	144℃	144℃+0℃,-5℃	127℃	260℃	●	●	●	●	●	●	●
SW-116T	152℃	152℃+0℃,-4℃	137℃	270℃	●	●	●	●	●	●	●
SW-120T	167℃	167℃+0℃,-4℃	152℃	280℃	●	●	●	●	●	●	●
SW-118T	169℃	169℃+0℃,-5℃	154℃	280℃	●						●
SW-127T	184℃	184℃+0℃,-6℃	169℃	220℃	●	●	●	●	●	●	●
SW-122T	192℃	192℃+3℃,-3℃	177℃	300℃	●						●
SW-125T	195℃	195℃+0℃,-6℃	180℃	300℃	●	●	●	●	●	●	●
SW-139T*	216℃	216℃+0℃,-6℃	200℃	370℃	●	●	●	●	●	●	●
SW-124T*	228℃	228℃+0℃,-6℃	200℃	370℃	●	●	●	●	●	●	●
SW-128T*	240℃	240℃+0℃,-6℃	200℃	370℃	●	●	●	●	●	●	●

UL file NO : E126429 ● = Approved □ = Applied
 *Dual Rations(UL approved) - 250V 10A and 125V 15A

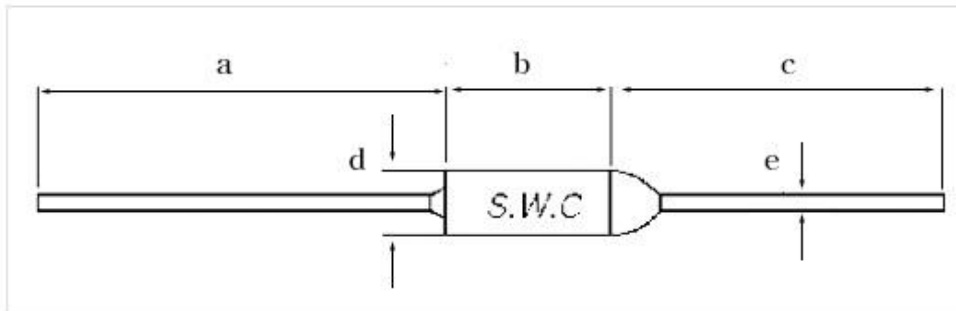
▶ 전기 정격

- 정격전압 : 250V, ac (and 125V)
- 정격전류 : 10A (and 15A)
- 주파수 : 50 or 60Hz
- 최대허용차단전류 : 250V, ac 15A
- 순간과도전류 : dc current pulses, with an amplitude 150 A and a duration of 3 ms with 10 s intervals, are applied for 100 successive cycles through the current path.

▶ 구조



▶ 외형



dimension(mm)	a	b	c	d	e
long	35,0 ±3,0	10,5 ±0,5	35,0 ±3,0	4,0 ±0,05	1,0
medium	22,0 ±3,0	10,5 ±0,5	25,0 ±3,0	4,0 ±0,05	1,0
short	18,0 ±3,0	10,5 ±0,5	20,0 ±3,0	4,0 ±0,05	1,0
special	65,0 ±1,0	10,5 ±0,5	40,0 ±1,0	4,0 ±0,05	1,0

▶ 인쇄

- 각 온도 퓨즈의 몸체에는 아래와 같이 인쇄 함
- 상표: S.W.C.
- 제품번호 : SW - 1XXT

정격 : 250V(250V), 10A(10A), 50/60Hz (50/60Hz)