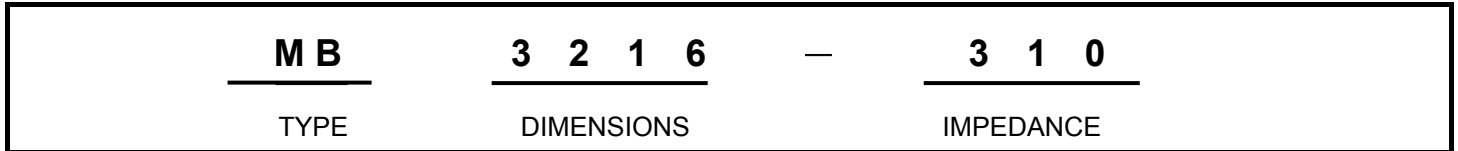




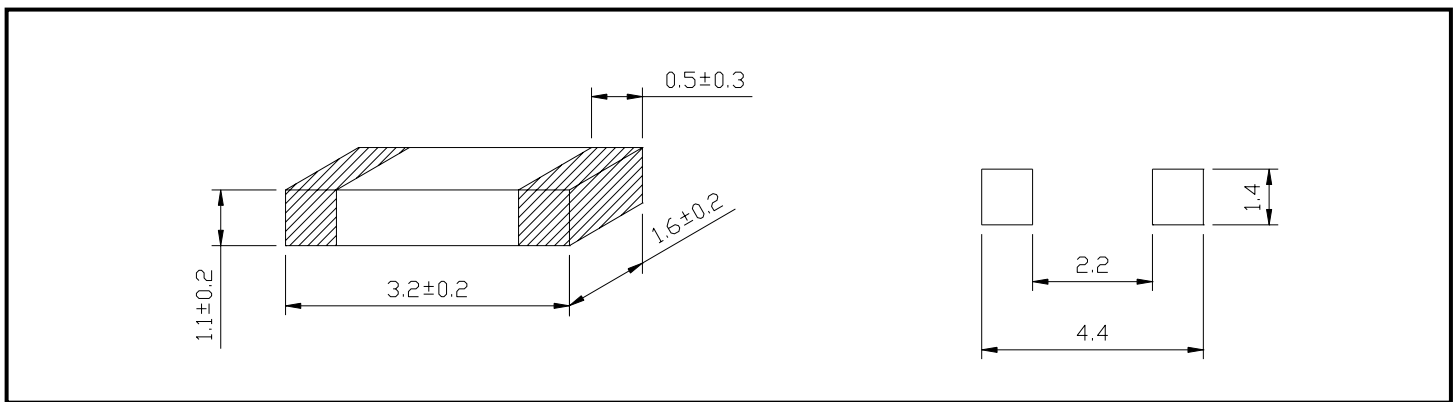
MB3216 SERIES

PART NUMBERING SYSTEM



SHAPES AND DIMENSIONS

UNIT : mm



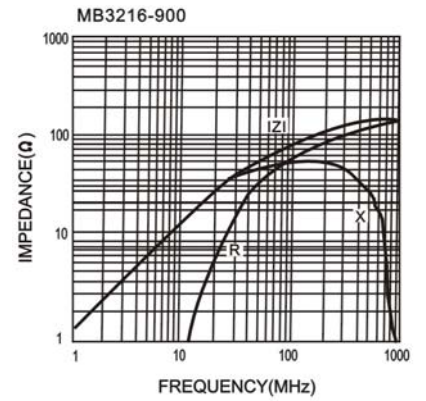
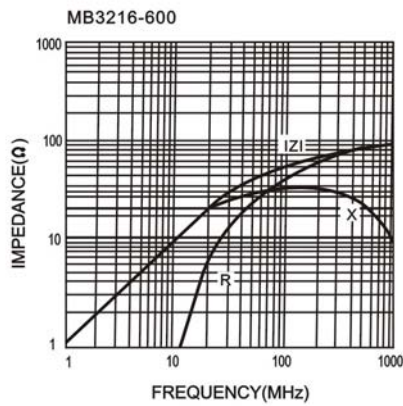
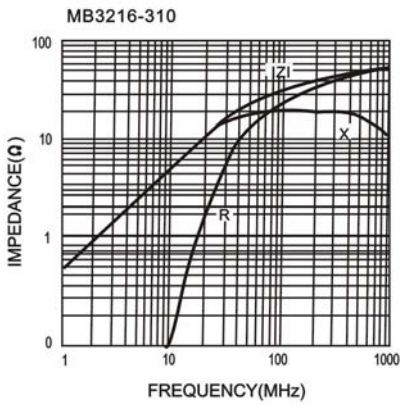
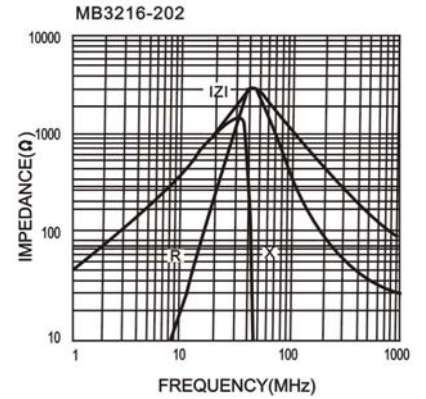
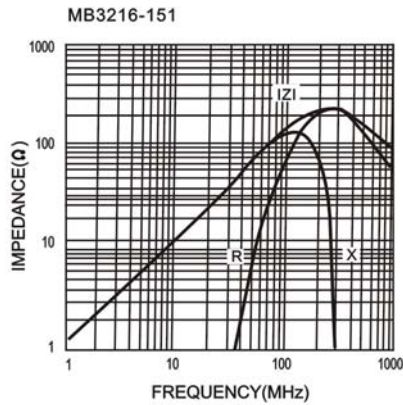
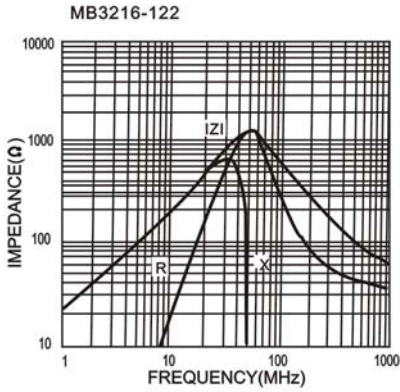
SPECIFICATION TABLE

PART NUMBER	IMPEDANCE (Ω) at 100MHz	DCR (Ω) (max)	IDC (mA) (max)
MB3216-310	$31 \pm 25\%$	0.20	500
MB3216-600	$60 \pm 25\%$	0.30	400
MB3216-900	$90 \pm 25\%$	0.30	300
MB3216-121	$120 \pm 25\%$	0.20	300
MB3216-151	$150 \pm 25\%$	0.30	300
MB3216-301	$300 \pm 25\%$	0.30	300
MB3216-601	$600 \pm 25\%$	0.30	200
MB3216-751	$750 \pm 25\%$	0.80	200
MB3216-102	$1000 \pm 25\%$	1.00	200
MB3216-152	$1500 \pm 25\%$ (at50MHz)	1.00	200
MB3216-202	$2000 \pm 25\%$ (at30MHz)	0.60	100

Test equipment : HP-4291 A impedance analyzer or equivalent.



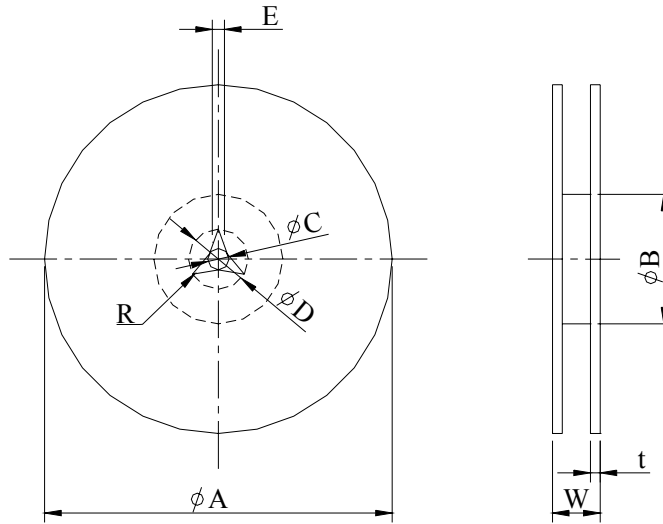
MB3216 SERIES



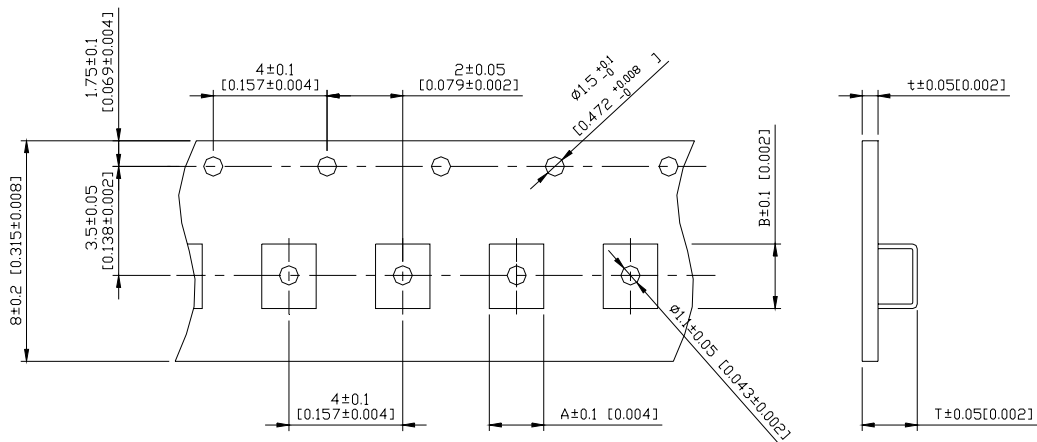


MB3216 SERIES

PACKAGING SPECIFICATION



	A	B	C	D	E	W8	W12	t	R
T(ϕ 178mm) Reel	ϕ 178 \pm 2	ϕ 60 \pm 1	ϕ 13 \pm 0.8	ϕ 21 \pm 0.8	2	10 \pm 1.5	14.5 \pm 1.5	1.27 \pm 0.2	1
T(ϕ 330mm) Reel	ϕ 330 \pm 2	ϕ 100 \pm 2	ϕ 13 \pm 0.8	ϕ 21 \pm 0.8	2	10 \pm 1.5	14.5 \pm 1.5	1.27 \pm 0.2	1



TYPE	A	B	T	t	T(ϕ 178mm)	T(ϕ 330mm)
3216	1.90	3.50	1.40	0.2	3000 pcs/reel	10000 pcs/reel