

A

B

C

D

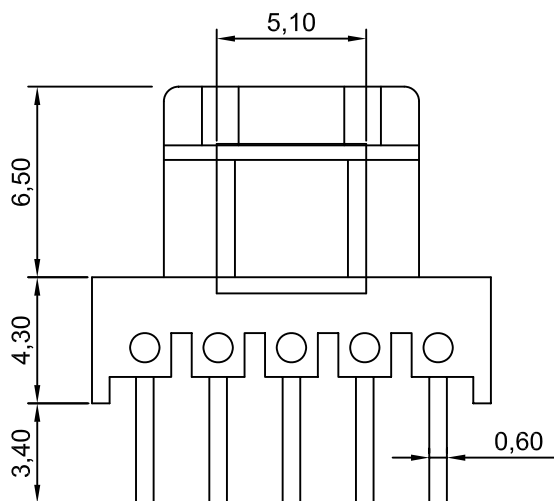
REVISIONS				
ZONE	REV.	DESCRIPTION	DATE	APPD.

1

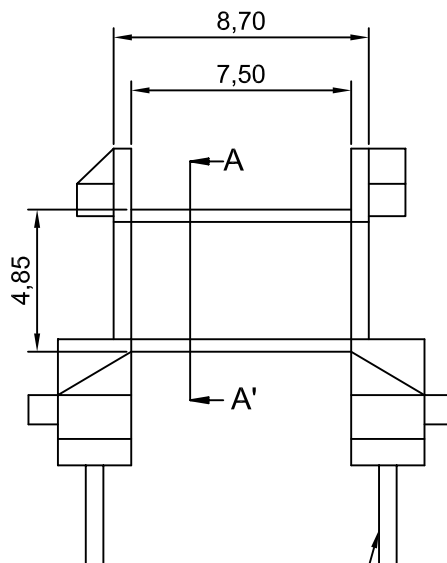
2

3

4



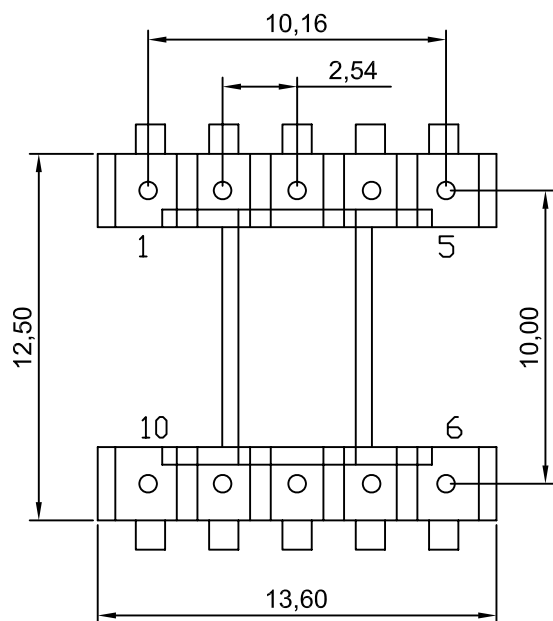
FRONT VIEW



10 PIN Ø0.6mm

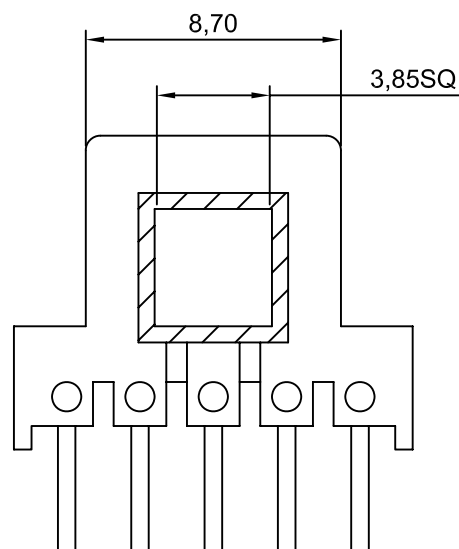
R.H.SIDE VIEW

5



BOTTOM VIEW

6



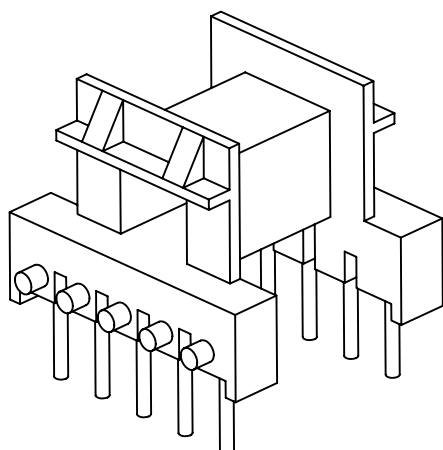
SECTION A-A

7

8

COMPONENT WEIGHT - 0.8 GMS

9



## NOTE:

- (1) All dimensions are in mm.
- (2) Tolerance for all dimension is  $(\pm 0.2)$
- (3) Molding Material:
  - (a) Zytel FR 50 BK 153J - UL & RoHS
  - (b) Zytel 70G33L BK 031 - Non UL.
  - (c) Zytel 70G33L NC 010 - Non UL
  - (d) Rynite FR530L BK507 - UL & RoHS
  - (e) Ultramid A3X2G5 - UL & RoHS
- (5) Pin Material: C.C.S Wire with Tin (Su) Plated



DURGA ELECTRONICS (INDIA)

COMPONENT NAME: BOBBIN

PART NO: EE 1304 HORIZONTAL  
10PIN

	NAME	SIGN.	DATE	REMARKS:	REV.
DESIGN BY	SACHIDANAND	<i>Sachidanand</i>	07.08.03		00
CHECKED BY	MANOJ GUPTA		07.08.03		
APPR. BY	MANOJ GUPTA		07.08.03	SCALE: 1:4	
				DRG.NO: DEI/DRG/0010	PATH ↓