

REVISIONS				
ZONE	REV.	DESCRIPTION	DATE	APPD.

1

2

3

4

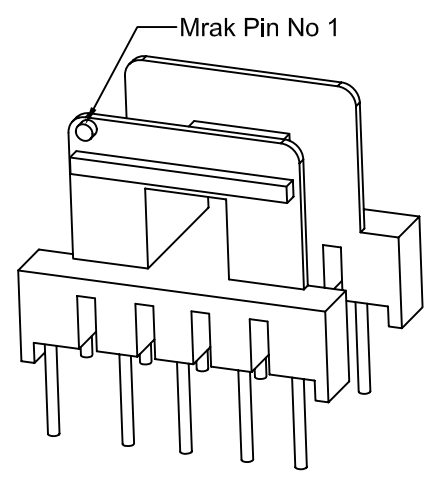
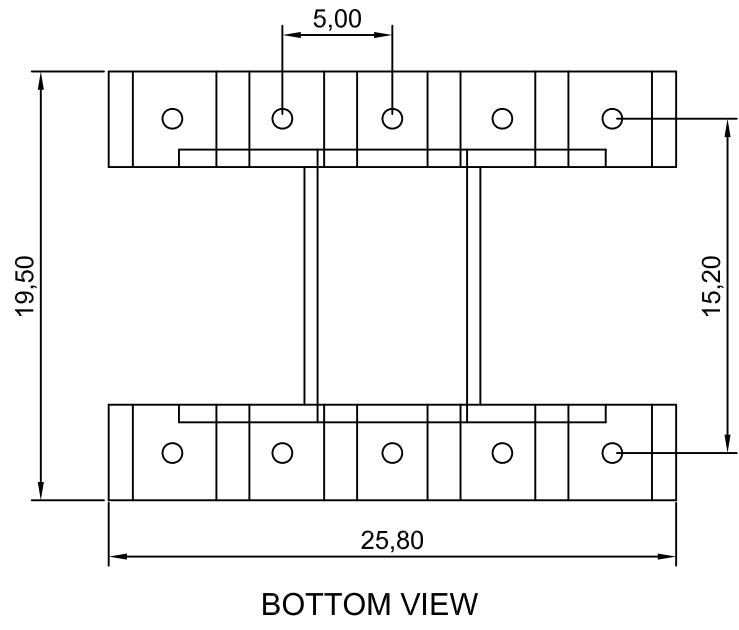
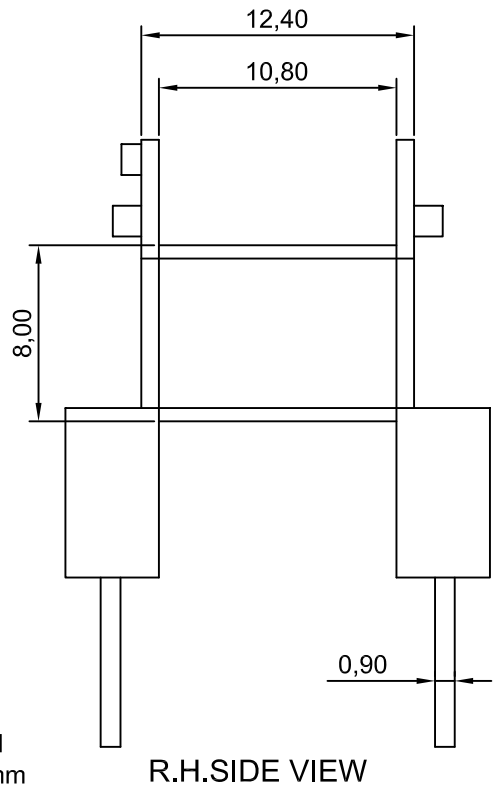
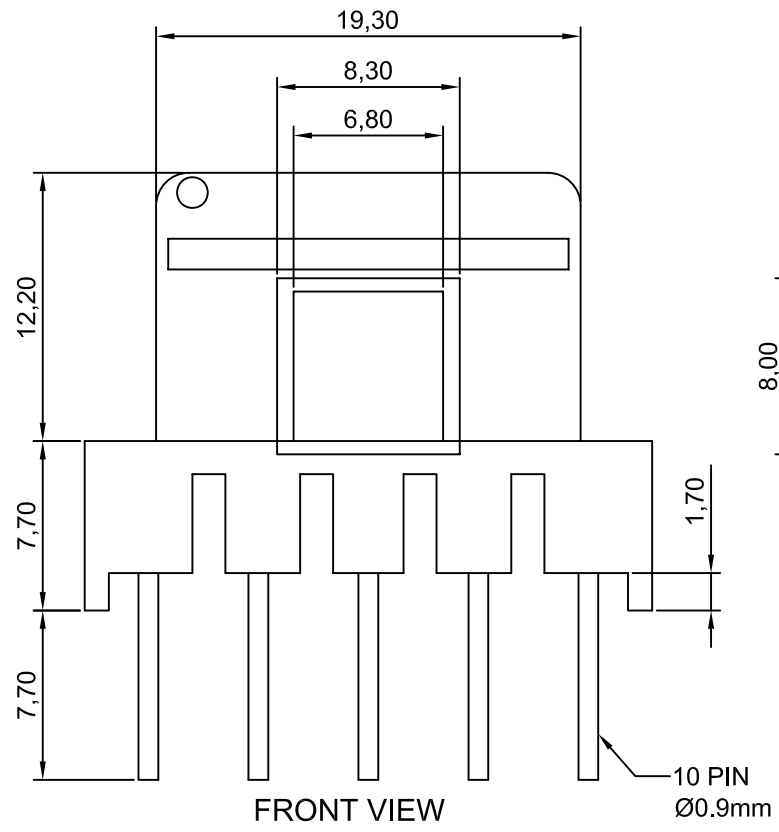
5

6

7

8

9



NOTE:
 (1) All dimensions are in mm.
 (2) Tolerance for all dimension is (±0.2)
 (3) Molding Material:
 (a) Zytel FR 50 BK 153J - UL & RoHS
 (b) Zytel 70G33L BK 031 - Non UL.
 (c) Zytel 70G33L NC 010 - Non UL
 (d) Rynite FR530L BK507 - UL & RoHS
 (e) Ultramid A3X2G5 - UL & RoHS
 (5) Pin Material: C.C.S Wire with Tin (Su) Plated

DURGA ELECTRONICS (INDIA)

COMPONENT NAME: BOBBIN

PART NO: EE 2506 HORIZONTAL 10PIN

	NAME	SIGN.	DATE
DESIGN BY	SACHIDANAND	<i>Sachidanand</i>	20.12.03
CHECKED BY	MANOJ GUPTA		20.12.03
APPR. BY	MANOJ GUPTA		20.12.03

REMARKS:		REV. 00
SCALE: 1:3	DRG.NO: DEI/DRG/0055	PATH ↓