

A

B

C

D

REVISIONS

ZONE

REV.

DESCRIPTION

DATE

APPD.

1

2

3

4

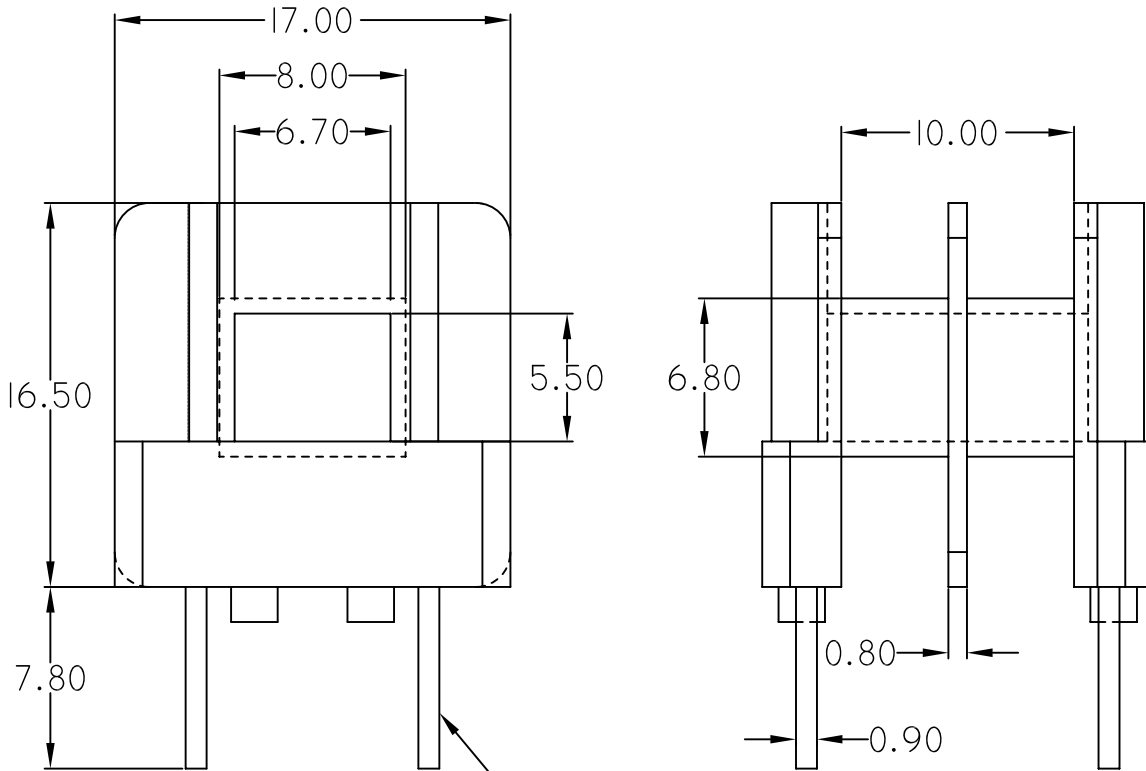
5

6

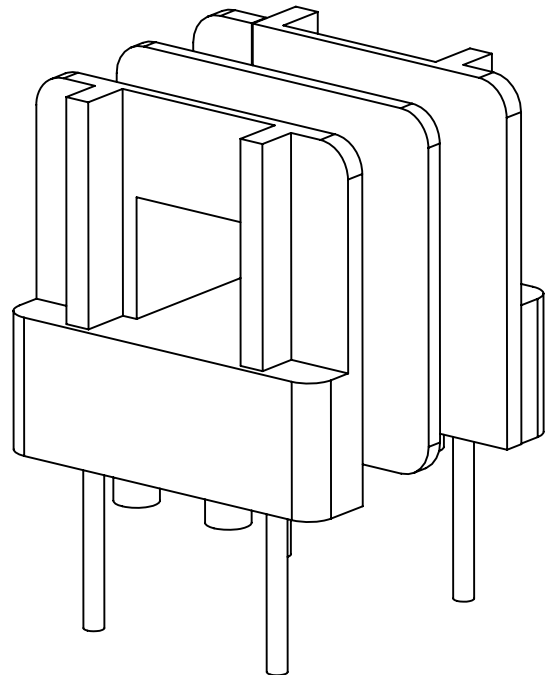
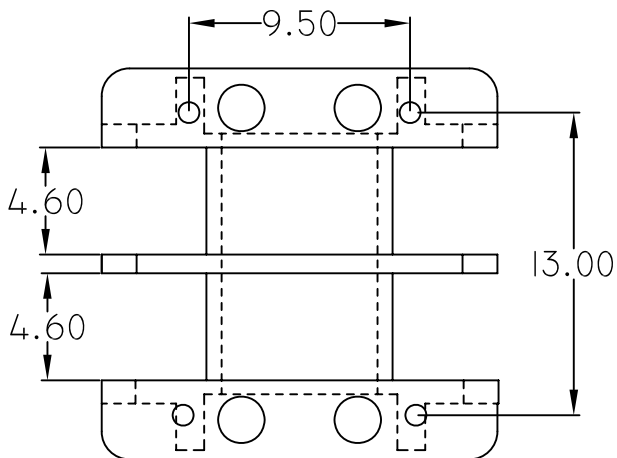
7

8

9



4PIN Ø0.9MM



COMPONENT WEIGHT - 2.0 GMS

NOTE:
 (1) All dimensions are in mm.
 (2) Tolerance for all dimension is (±0.2)
 (3) Molding Material:
 (a) Zytel FR 50 BK 153J - UL & RoHS
 (b) Zytel 70G33L BK 031 - Non UL
 (c) Zytel 70G33L NC 010 - Non UL
 (d) Rynite FR530L BK537 - UL & RoHS
 (e) Ultramid A3X2G5 - UL & RoHS
 (5) Pin Material: C.C.S Wire with Tin (Sn) Plated



DURGA ELECTRONICS(INDIA)

COMPONENT NAME: BOBBIN

PART NO: UUI511 HOR. 4PIN 2s

	NAME	SIGN.	DATE	REMARKS:	REV.
DESIGN BY	SACHIDANAND		15.11.02		00
CHECKED BY	MANOJ GUPTA		15.11.02		
APPR. BY	MANOJ GUPTA		15.11.02	SCALE: NTS DRG. NO: DEI/DRG/0198	PATH ↓

D:\DURGA\UUI SERIES\UUI511 HORIZONTAL 4PIN 2s