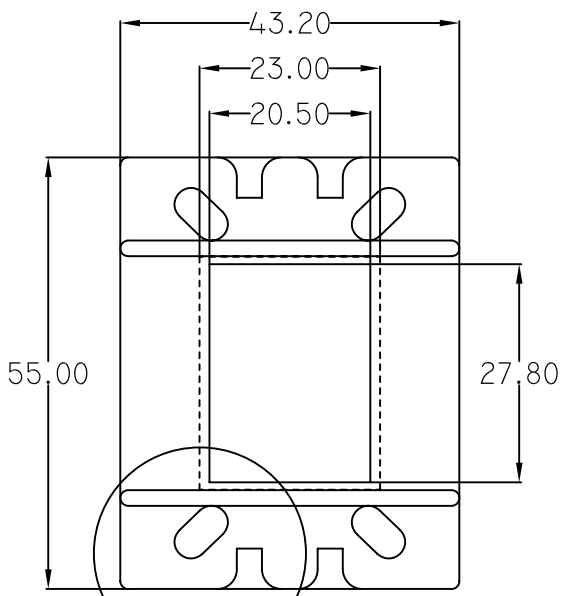
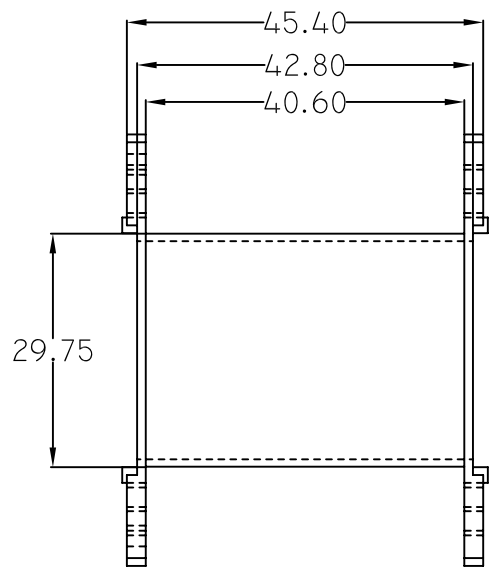
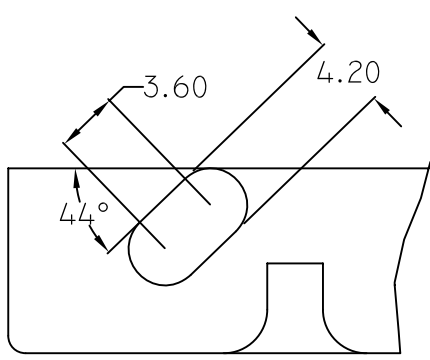
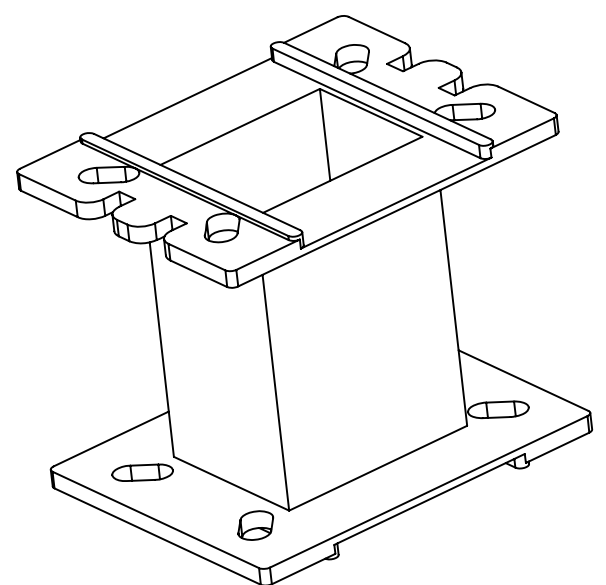

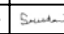


	A	B	C	D										
				<table border="1"> <thead> <tr> <th colspan="5">REVISIONS</th> </tr> <tr> <th>ZONE</th> <th>REV.</th> <th>DESCRIPTION</th> <th>DATE</th> <th>APPD.</th> </tr> </thead> </table>	REVISIONS					ZONE	REV.	DESCRIPTION	DATE	APPD.
REVISIONS														
ZONE	REV.	DESCRIPTION	DATE	APPD.										
1														
2														
3														
4														
5	SEE DETAIL I													
6														
7														
8	DETAIL I													
9	<p>NOTE:</p> <p>(1) All dimensions are in mm.</p> <p>(2) Tolerance for all dimension is ± 0.2</p> <p>(3) Molding Material:</p> <p>(a) Zytel FR 50 BK 153J - UL & RoHS</p> <p>(b) Zytel 70G33L BK 031 - Non UL</p> <p>(c) Zytel 70G33L NC 010 - Non UL</p> <p>(d) Rynite FR530L BK507 - UL & RoHS</p> <p>(e) Ultramid A3X2G5 - UL & RoHS</p>		<p> DURGA ELECTRONICS(INDIA)</p> <p>COMPONENT NAME: BOBBIN</p> <p>PART NO: EE65-32-27 VERTICAL WITHOUTPIN</p>											
		NAME	SIGN.	DATE	REMARKS:	REV.								
	DESIGN BY	SACHIDANAND		21.10.02		00								
	CHECKED BY	MANOJ GUPTA		21.10.02										
	APPR. BY	MANOJ GUPTA		21.10.02	SCALE: NTS	DRG. NO: DEI/DRG/0103	PATH							