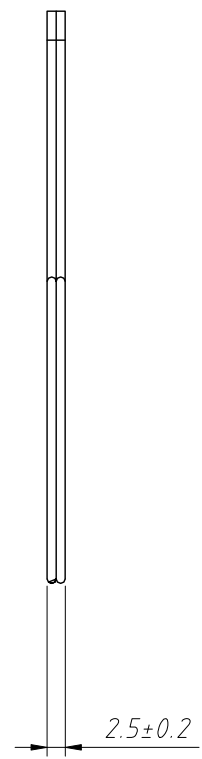
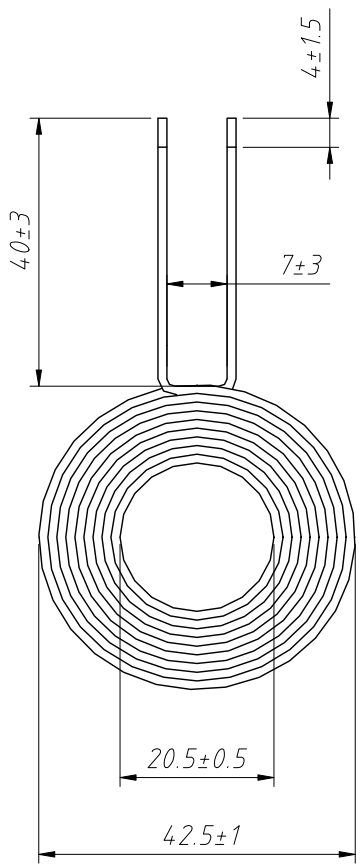


1
RoHS Compliance



Wire Rod: $0.08 \times 105P$
 Resistance: $90m\Omega$ Max At $25^\circ C$
 Number Of Turns: 20TS
 Inductance: $14UH \pm 10\%$ (120KHZ/1V)
 The Coil Should Not Be Deformed,
 Loose, Broken, Or Dirty.

ANGLE TOLERANCE	PROJECTION	Description:		
$\pm 3^\circ$		Inductance 120KHz/1V		
GENERAL TOLERANCE	UNITS	mm	KLS P/N:	L-KLS18-ALB-20x0.08x105P-14uh
x.x ± 0.30	SHEET SIZE	A4	XX	NingBo KLS ELECTRONIC CO.,L TD.
x.xx ± 0.20	Draw:	Daniel	2023-05-25	
x.xxx ± 0.10	Check:	Daniel	2023-05-25	