



# XuYi OuGe Electronic Co., Ltd

Add: No.9 Ruiping Rd, Luosha Village, Yongning Industrial, Xiaolan Town, Zhongshan City, Guangdong, China.



Tel: +86-760-22286356  
Email:sales03@ougedianzi.com

Fax: +86-760-22286951  
Website:www.ougedianzi.com

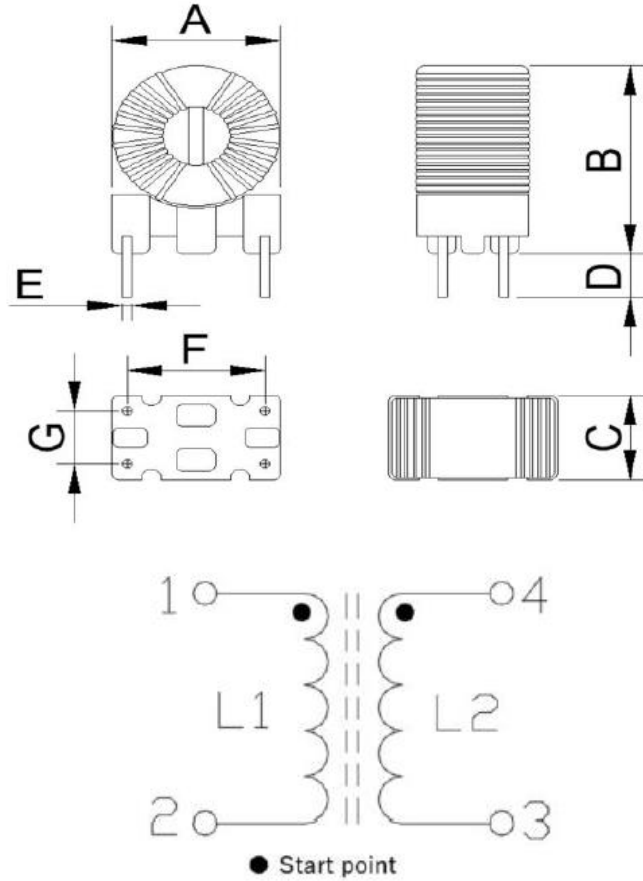
## *SPECIFICATION FOR APPROVAL*

CUSTOMER NAME	OZDISAN		
Item No:	HLJ-301G-1065C-V inductor		
CUSTOMER NO:		CUSTOMER REVISION:	1.0
OUGE No:	SX-4052HC-300uH	OU GE REVISION:	A1

Note:Please send confirmation to us with signature and seal

sign and seal by seller			Sign and seal by buyer		
Preparer	Reviewer	Approver	Reviewer	Approver	confirmer
ZhiHua Zhang					
Date:	3 <sup>Rd</sup> April 2024		Date		

# 1. Dimensions (unit:mm)



## 2. Dimension:

A	B	C	D	E	F	G
14.00Max x	16.0Max	9.0MAX	3.5±0.5	0.60± 0.05	7.0±0.5	4.6±0.5

## 3. Product Photo:



XuYi OuGe Electronic Co., Ltd

TEL: 0760-22131648 Fax: 0760-22286311

Ouge Item No

SX-4052HC-300uH

Name

HLJ-301G-1065C-V inductor

Revision

A1

Page No

1/3

#### 4. winding process:

No	Pin (star-top)	Specification of copper line	Turns
N1	1-2	2UEW 0.50mm	9.5 (Ref.)
N2	3-4	2UEW 0.50mm	9.5 (Ref.)

#### 5. Electrical Parameter

##### ○, l Inductance

No	Pins	Specification	Test condition	Test equipment
1	1-2	300uH min	10.0KHZ 0.30V	TH2832XB
2	3-4	300uH min	10.0KHZ 0.30V	TH2832XB

#### 6. BOM List

No	Name	Specification
1	Toroidal core	T10*6*5 AL=4.0-5.0
2	Magnet wire	0.50 2UEW
3	High temperature tin	Sn99.9%
4	epoxy	H907-HF-G
5	Base	B024

XuYi Electronic oc., ltd TEL: 0760-22131648 Fax: 0760-22286311 Email:sales03@ougedianzi.com	Item No	SX-4052HC-300uH		
	Name	HLJ-301G-1065C-V inductor		
	Revision	A1	Page No	2/3