



## AL0307 SERIES ~ Axial Leaded Inductors

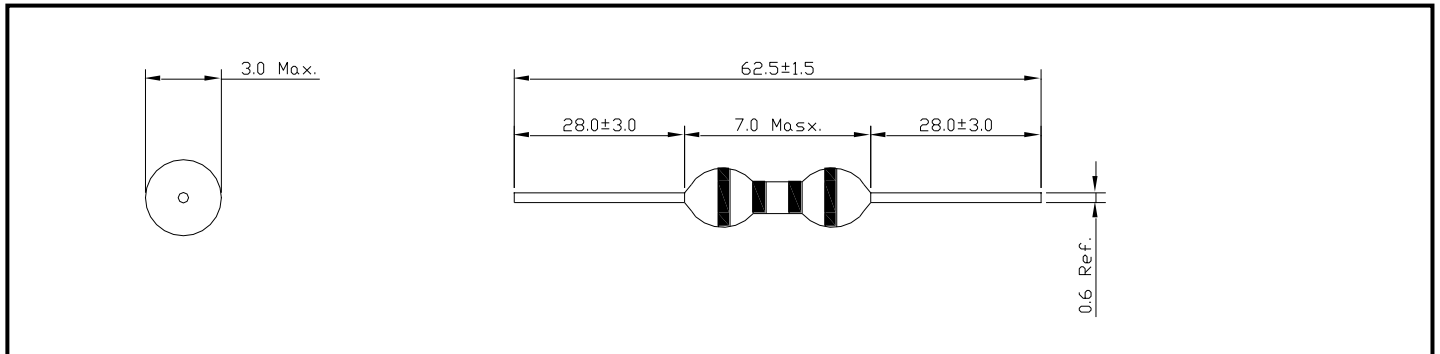


### PART NUMBERING SYSTEM

<b>AL</b>	<b>0307</b>	—	<b>R10M</b>	—	<b>LF</b>
TYPE	DIMENSIONS		INDUCTANCE		LEAD FREE

### SHAPES AND DIMENSIONS

UNIT : mm





## AL0307 SERIES ~ Axial Leaded Inductors



### SPECIFICATION TABLE

PART NUMBER	INDUCTANCE ( $\mu$ H)	Q (min)	DCR ( $\Omega$ ) (max)	IDC (mA) (max)	SRF(MHz) (min)	TEST FREQ. (f)
AL0307-R10M-LF	0.10 $\pm$ 20%	40	0.060	1400	480	25.2MHz
AL0307-R12M-LF	0.12 $\pm$ 20%	40	0.060	1350	450	25.2MHz
AL0307-R15M-LF	0.15 $\pm$ 20%	40	0.070	1270	420	25.2MHz
AL0307-R18M-LF	0.18 $\pm$ 20%	40	0.070	1200	400	25.2MHz
AL0307-R22M-LF	0.22 $\pm$ 20%	40	0.080	1150	380	25.2MHz
AL0307-R27M-LF	0.27 $\pm$ 20%	40	0.085	1110	360	25.2MHz
AL0307-R33M-LF	0.33 $\pm$ 20%	40	0.095	1110	350	25.2MHz
AL0307-R39M-LF	0.39 $\pm$ 20%	40	0.100	1000	320	25.2MHz
AL0307-R47M-LF	0.47 $\pm$ 20%	40	0.110	1000	300	25.2MHz
AL0307-R56M-LF	0.56 $\pm$ 20%	40	0.120	950	280	25.2MHz
AL0307-R68M-LF	0.68 $\pm$ 20%	40	0.130	900	250	25.2MHz
AL0307-R82M-LF	0.82 $\pm$ 20%	40	0.140	900	200	25.2MHz
AL0307-1R0K-LF	1.00 $\pm$ 10%	40	0.150	815	180	25.2MHz
AL0307-1R2K-LF	1.20 $\pm$ 10%	40	0.180	740	165	7.96MHz
AL0307-1R5K-LF	1.50 $\pm$ 10%	40	0.200	700	150	7.96MHz
AL0307-1R8K-LF	1.80 $\pm$ 10%	50	0.230	655	125	7.96MHz
AL0307-2R2K-LF	2.20 $\pm$ 10%	50	0.250	630	110	7.96MHz
AL0307-2R7K-LF	2.70 $\pm$ 10%	50	0.280	595	95	7.96MHz
AL0307-3R3K-LF	3.30 $\pm$ 10%	50	0.300	575	70	7.96MHz
AL0307-3R9K-LF	3.90 $\pm$ 10%	50	0.320	555	65	7.96MHz
AL0307-4R7K-LF	4.70 $\pm$ 10%	50	0.350	530	50	7.96MHz
AL0307-5R6K-LF	5.60 $\pm$ 10%	50	0.400	500	40	7.96MHz
AL0307-6R8K-LF	6.80 $\pm$ 10%	50	0.450	470	30	7.96MHz
AL0307-8R2K-LF	8.20 $\pm$ 10%	50	0.560	425	28	7.96MHz
AL0307-100K-LF	10.0 $\pm$ 10%	50	0.750	370	22	7.96MHz



## AL0307 SERIES ~ Axial Leaded Inductors



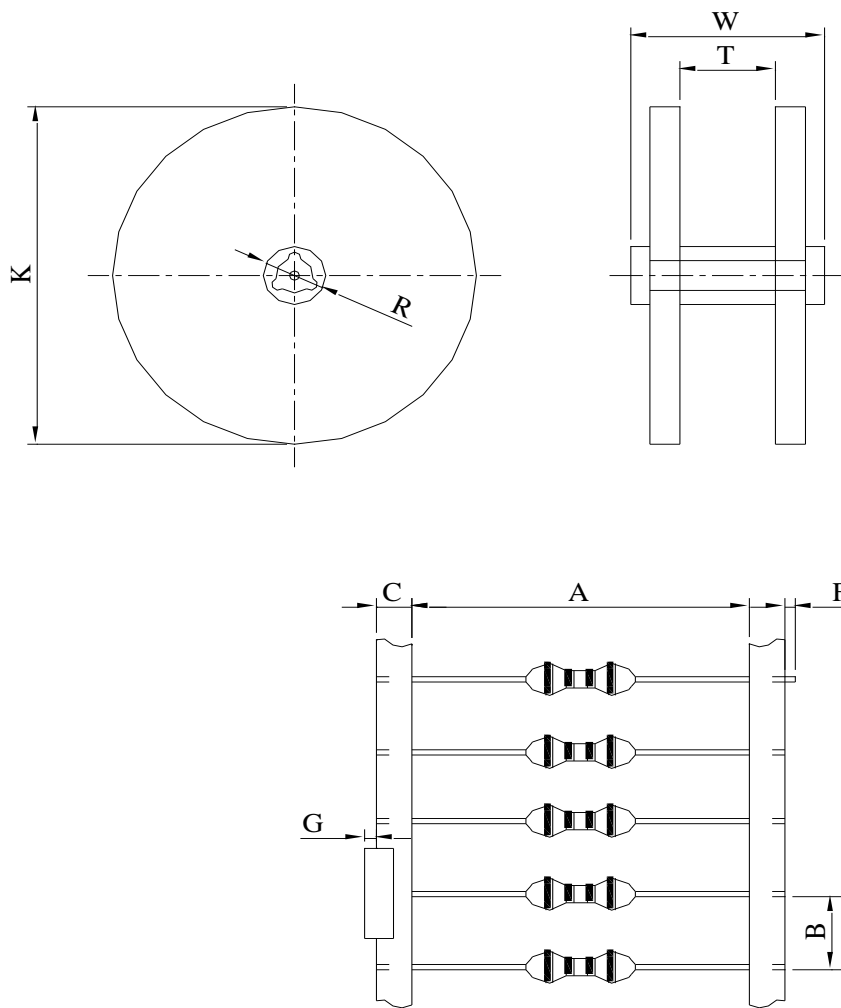
### SPECIFICATION TABLE

PART NUMBER	INDUCTANCE ( $\mu$ H)	Q (min)	DCR ( $\Omega$ ) (max)	IDC (mA) (max)	SRF(MHz) (min)	TEST FREQ. (f)
AL0307-120K-LF	12.0 $\pm$ 10%	50	0.800	350	20	2.52MHz
AL0307-150K-LF	15.0 $\pm$ 10%	50	0.930	335	16	2.52MHz
AL0307-180K-LF	18.0 $\pm$ 10%	50	1.000	315	15	2.52MHz
AL0307-220K-LF	22.0 $\pm$ 10%	50	1.200	285	13	2.52MHz
AL0307-270K-LF	27.0 $\pm$ 10%	50	1.800	270	11	2.52MHz
AL0307-330K-LF	33.0 $\pm$ 10%	50	2.100	255	10	2.52MHz
AL0307-390K-LF	39.0 $\pm$ 10%	50	2.300	240	9.5	2.52MHz
AL0307-470K-LF	47.0 $\pm$ 10%	50	2.600	205	8.5	2.52MHz
AL0307-560K-LF	56.0 $\pm$ 10%	50	2.900	195	7.5	2.52MHz
AL0307-680K-LF	68.0 $\pm$ 10%	50	3.300	185	6.5	2.52MHz
AL0307-820K-LF	82.0 $\pm$ 10%	50	3.800	175	6.0	2.52MHz
AL0307-101K-LF	100 $\pm$ 10%	50	4.200	165	5.5	2.52MHz
AL0307-121K-LK	120 $\pm$ 10%	60	4.700	160	5.4	0.796MHz
AL0307-151K-LF	150 $\pm$ 10%	60	5.400	150	4.7	0.796MHz
AL0307-181K-LF	180 $\pm$ 10%	60	6.000	140	4.3	0.796MHz
AL0307-221K-LF	220 $\pm$ 10%	60	7.000	130	4.0	0.796MHz
AL0307-271K-LF	270 $\pm$ 10%	60	7.700	120	3.7	0.796MHz
AL0307-331K-LF	330 $\pm$ 10%	60	11.100	100	3.4	0.796MHz
AL0307-391K-LF	390 $\pm$ 10%	60	12.600	95	2.8	0.796MHz
AL0307-471K-LF	470 $\pm$ 10%	60	14.000	90	2.5	0.796MHz
AL0307-561K-LF	560 $\pm$ 10%	60	15.500	85	2.3	0.796MHz
AL0307-681K-LF	680 $\pm$ 10%	60	25.300	60	2.0	0.796MHz
AL0307-821K-LF	820 $\pm$ 10%	60	27.500	65	1.5	0.796MHz
AL0307-102K-LF	1000 $\pm$ 10%	50	31.400	60	1.2	0.796MHz

## AL0307 SERIES ~ Axial Leaded Inductors



### PACKING SPECIFICATION



SERIES	STAYLE	Q'TY (PCS)	DIMENSIONS (m/m)								
			K	T	W	R	A	B	C	F <sup>±0</sup>	G
AL0307		5000	355	66	72	17.5	52±1.0	5±0.5	6±1.0	0.8	1.0