



SQH4018S SERIES ~ Low Profile SMD Power Inductors



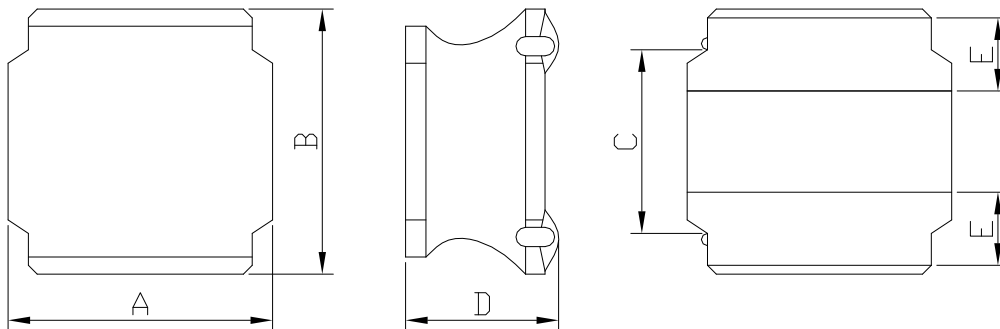
PART NUMBERING SYSTEM

(AEC-Q200)

| | | | | | |
|------------|--------------|---|-------------|---|-----------|
| SQH | 4018S | — | 220M | — | LF |
| TYPE | DIMENSIONS | | INDUCTANCE | | LEAD FREE |

SHAPES AND DIMENSIONS

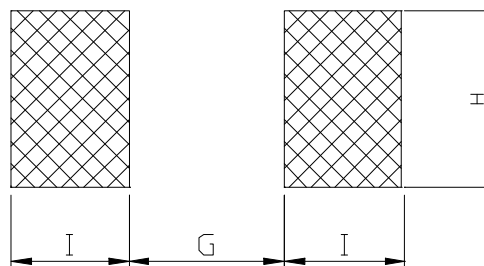
UNIT : mm



A=4.2 Max. B=4.2 Max. C=2.5 Ref. D=1.8 Max. E=1.1±0.2

RECOMMENDED PATTERNS

UNIT : mm



G= 1.40 H= 3.60 I = 1.20

FEATURES

- * Low profile and small inductors (4.2mm Max. square and 1.8mm Max. height)
- * Magnetically shielded construction and high current
- * Ideal for DC-DC converter choke coil for portable equipments (DVDs , DSC , Cellular , PDAs)
- * RoHS compliant option with lead free

SQH4018S SERIES ~ Low Profile SMD Power Inductors



SPECIFICATION TABLE

(AEC-Q200)

| PART NUMBER | INDUCTANCE (μ H) | DCR (Ω) (Max.) | Isat (A) (Max.) | Irms (A) (Max.) | TEST FREQ. (f) |
|------------------|--------------------------|----------------------------|--------------------|--------------------|---------------------|
| SQH4018S-1R0N-LF | 1.0 \pm 30% | 0.036 | 4.00 | 1.83 | 100KHz |
| SQH4018S-2R2M-LF | 2.2 \pm 20% | 0.072 | 2.70 | 1.44 | 100KHz |
| SQH4018S-3R3M-LF | 3.3 \pm 20% | 0.084 | 2.00 | 1.23 | 100KHz |
| SQH4018S-4R7M-LF | 4.7 \pm 20% | 0.108 | 1.70 | 1.20 | 100KHz |
| SQH4018S-6R8M-LF | 6.8 \pm 20% | 0.132 | 1.45 | 1.06 | 100KHz |
| SQH4018S-100M-LF | 10 \pm 20% | 0.216 | 1.20 | 0.84 | 100KHz |
| SQH4018S-150M-LF | 15 \pm 20% | 0.300 | 0.94 | 0.65 | 100KHz |
| SQH4018S-220M-LF | 22 \pm 20% | 0.432 | 0.80 | 0.59 | 100KHz |
| SQH4018S-330M-LF | 33 \pm 20% | 0.636 | 0.65 | 0.49 | 100KHz |
| SQH4018S-470M-LF | 47 \pm 20% | 0.780 | 0.57 | 0.42 | 100KHz |
| SQH4018S-680M-LF | 68 \pm 20% | 1.200 | 0.47 | 0.32 | 100KHz |
| SQH4018S-101M-LF | 100 \pm 20% | 1.800 | 0.40 | 0.27 | 100KHz |
| SQH4018S-151M-LF | 150 \pm 20% | 3.000 | 0.31 | 0.22 | 100KHz |
| SQH4018S-221M-LF | 220 \pm 20% | 4.800 | 0.27 | 0.17 | 100KHz |

- Isat : DC current at which the inductance drops 30%(typ) from its value without current.
- Irms : The temperature rise current value is the DC current value having temperature increase up 40°C temperature rise from 25°C ambient.
- Operating temperature range -40°C to +105°C , Electrical specifications at 25°C .