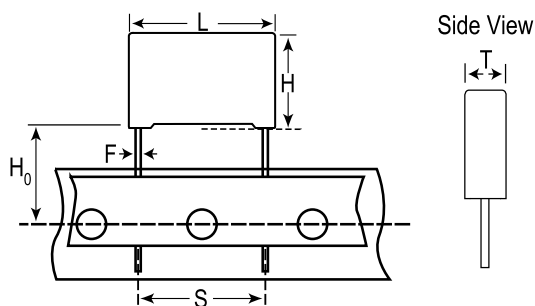


KEMET Part Number: R75TN3100DQ30J
(75TN3100DQ30J)

Film, Metallized Polypropylene, Commercial Grade, KEMET, R75, 0.1 uF, 5%, 1,600 V, 85C, Lead Spacing = 22.5mm



General Information

Dielectric:	Metallized Polypropylene
Style:	Radial
Supplier:	KEMET
Series:	R75
Features:	Pulse
RoHS:	Yes
Lead:	Wire Leads
AEC-Q200:	Yes

Dimensions

L	26.5mm +0.3mm
H	22mm +0.1mm
T	13mm +0.1mm
S	22.5mm +/-0.4mm
H0	18.5mm +/-0.5mm
F	0.8mm +/-0.05mm

Packaging Specifications

Packaging:	Ammo, 360x340x59mm, Box
-------------------	-------------------------

Specifications

Capacitance:	0.1 uF
Capacitance Tolerance:	5%
Voltage DC:	1600 VDC
Voltage AC:	650 VAC
Temperature Range:	-55/+105C
Rated Temperature:	85C
Dissipation Factor:	0.04% 1kHz, 0.06% 10kHz, 0.25% 100kHz
Max dVdt:	3,000 V
Inductance:	18 nH