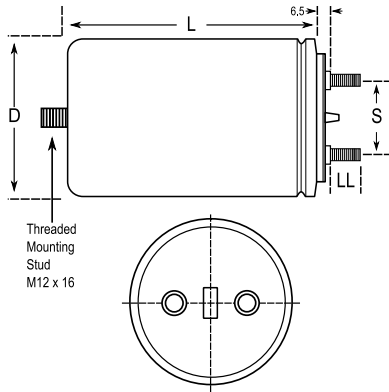


Capacitor, film, Metallized Polypropylene, 300 uF, +/-5% Tol, -40/+70C, ACFilter, 250 VAC



Dimensions (mm)		
Symbol	Dimension	Tolerance
D	85	+/-0.5
L	230	+/-2
S	35	+/-0.5
LL	25	NOM

Packaging Specifications	
Package Kind:	Bulk
Package Quantity:	5

General Information	
Supplier:	KEMET
Dielectric:	Metallized Polypropylene
Application:	ACFilter
Style:	Aluminum Can
Features:	Single Phase PFC
Mounting Type:	Bolt: M12x16
RoHS:	Yes

Specifications	
Capacitance:	300 uF
Voltage:	400 V
Tolerance:	+/-5%
Voltage AC:	250 VAC
Rated Temperature:	70C
Temperature Range:	-40/+70C
Maximum dVdT:	10 v/us
Current/Ripple Current:	60 Amps
Current/Ripple Current:	3000 Amps (Peak)
Miscellaneous:	Q = 5.89 kVar
Miscellaneous:	Peak Voltage = 600 VDC

Statements of suitability for certain applications are based on our knowledge of typical operating conditions for such applications, but are not intended to constitute - and we specifically disclaim - any warranty concerning suitability for a specific customer application or use. This Information is intended for use only by customers who have the requisite experience and capability to determine the correct products for their application. Any technical advice inferred from this Information or otherwise provided by us with reference to the use of our products is given gratis, and we assume no obligation or liability for the advice given or results obtained.