

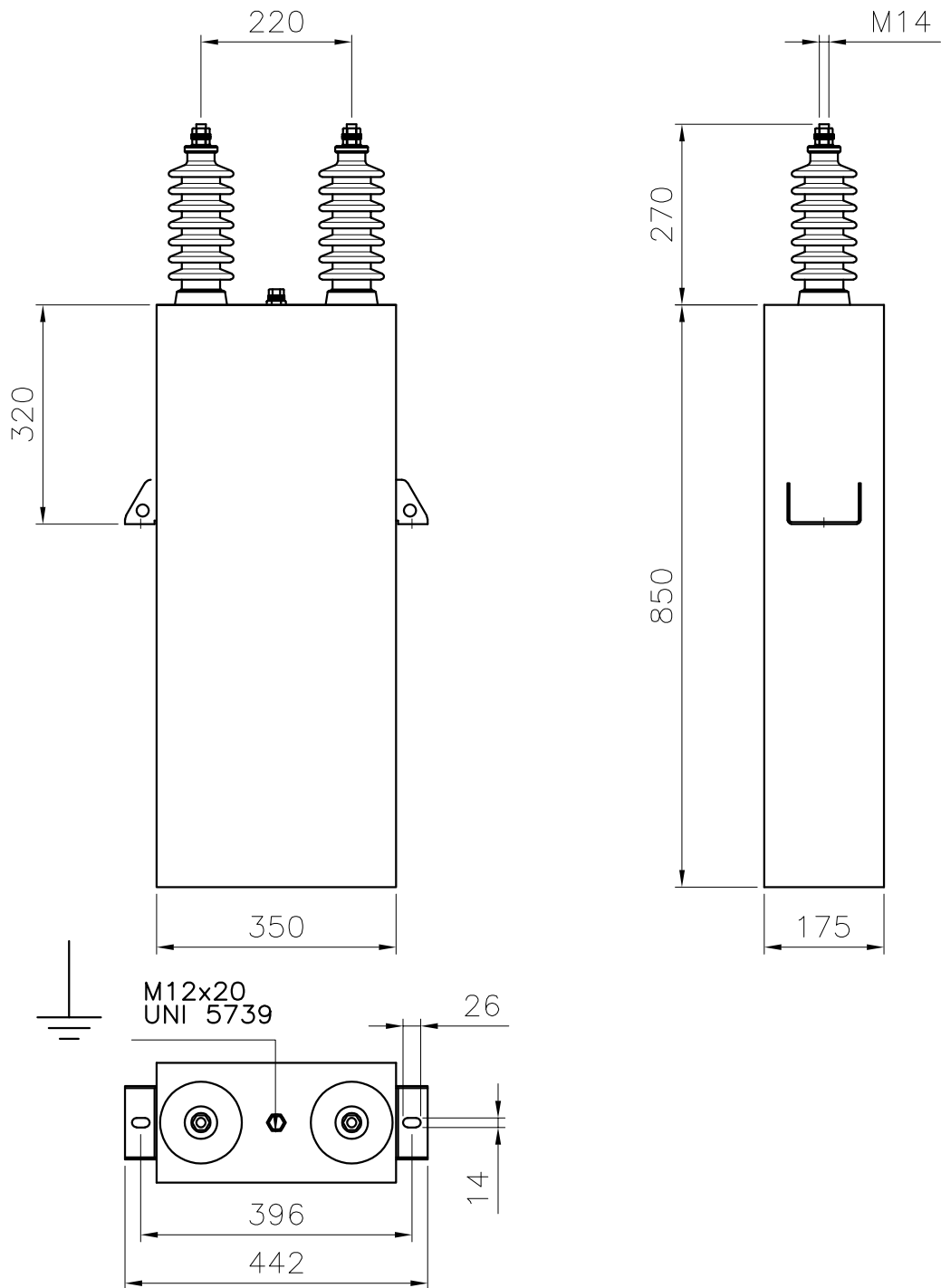
CERTIFICATION  
OF THE QUALITY  
SYSTEM OF THE  
COMPANIES



Member of



The reproduction and/or divulgation of this drawing or its included informations is strictly prohibited unless authorized by the owning company DUCATI S.p.A.  
E' vietata la riproduzione e/o la divulgazione di questo disegno unitamente alle informazioni in esso contenute senza l'autorizzazione della DUCATI S.p.A.



Qn (kvar)	648	DISCH. RESIST.	75V/10min
Un (V)	12000	CASE MATERIAL	MILD STEEL
Cn (uF)	14,3 -5+10%	INSULATOR MAT.	PORCELAIN
fn (Hz)	50	CREEPAGE (mm)	600
In (A)	54	DIELEC. FLUID	JARYLEC
BIL (kV)	50/125	WEIGHT (kg)	73
TEMP. CAT. (°C)	-25 +45	STANDARD	IEC 60871
INTERNAL FUSES	NO	PAINTING	RAL 7031

A	Mod insulator	12/12	S.For.
Ed.	Descrizione/Description		Data/Date Firma/Sign.

<b>DUCATI</b> energia s.p.a.		TOLL. QUOTE LIBERE (TOLERANCE RATE) UNI-ISO 2768-m	TOLL. QUOTE LIBERE ANG. (ANG. TOLERANCE RATE)	SCALA/SCALE 1:10	DATA/DATE 19.05.08	FIRMA/DRAWN S. Fornacciarì	VISTO/CHECKED
	OGGETTO/PART NAME <b>POWER CAPACITOR CONDENSATORE DI RIFASAMENTO</b>						CODICE/PART NR. <b>415585100</b>
						EDIZ./EDIT.	A