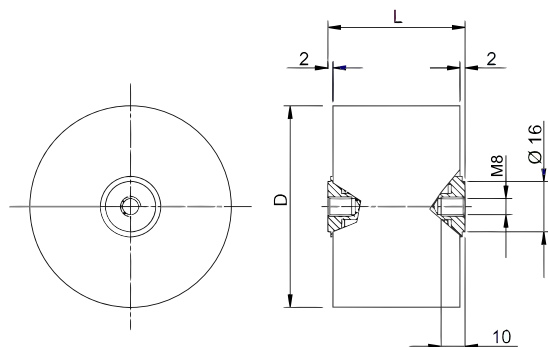


KEMET Part Number: C4DRJAQ5200AA0J
(4DRJAQ5200AA0J)

Film, Metallized Polypropylene, Power, KEMET, C4DR, 20 uF, 5%, 700 V



General Information	
Dielectric:	Metallized Polypropylene
Style:	Door Knob
Supplier:	KEMET
Series:	C4DR
Features:	GTO
RoHS:	Yes
Lead:	Screw Terminals M8
Miscellaneous:	Thermal Resistance = 1.5 C/W. Peak Voltage = 980 VDC. Surge Voltage = 1050 VDC

Dimensions	
D	90mm NOM
L	51mm NOM

Specifications	
Capacitance:	20 uF
Capacitance Tolerance:	5%
Voltage DC:	700 VDC
Voltage AC:	250 VAC
Temperature Range:	-40/+85C
Rated Temperature:	70C
Max dVdt:	70 V
Resistance:	1.5 mOhms (100kHz)
Current:	60 Amps (100kHz 70C), 1400 Amps (Peak)

Packaging Specifications	
Packaging:	Bulk
Packaging Quantity:	18