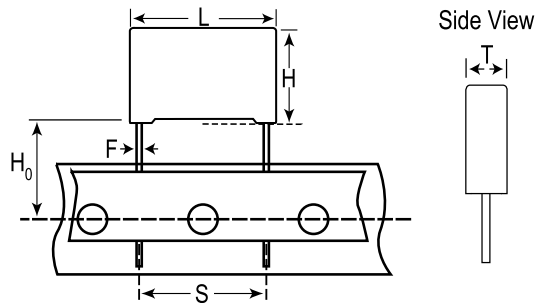


KEMET Part Number: R75UI1150DQ40J
(75UI1150DQ40J)

Film, Metallized Polypropylene, Commercial Grade, KEMET, R75, 1500 pF, 5%, 2,000 V, 85C, Lead Spacing = 15mm



General Information	
Dielectric:	Metallized Polypropylene
Style:	Radial
Supplier:	KEMET
Series:	R75
Features:	Pulse
RoHS:	Yes
Lead:	Wire Leads
AEC-Q200:	Yes
Miscellaneous:	Above 85C DC And AC Voltage Derating Is 1.25%/C

Dimensions	
L	18mm +0.3mm
H	10mm +0.1mm
T	4mm +0.2mm
S	15mm +/-0.4mm
H0	18mm +/-0.5mm
F	0.8mm +/-0.05mm

Specifications	
Capacitance:	1500 pF
Capacitance Tolerance:	5%
Voltage DC:	2000 VDC
Voltage AC:	700 VAC
Temperature Range:	-55/+105C
Rated Temperature:	85C
Dissipation Factor:	0.04% 1kHz, 0.06% 10kHz, 0.25% 100kHz
Max dVdt:	9,500 V
Inductance:	10 nH

Packaging Specifications	
Packaging:	Ammo, 360x340x59mm, Box
Packaging Quantity:	1000