

DUCATI energia	CAPACITOR for POWER ELECTRONIC - GENERAL PURPOSE APPLICATIONS -	C = 30 μ F 930 Vac / 1700 Vdc
S.p.A		Part. Number : 416.84.9381D

CHARACTERISTICS

Rated Capacitance	30	μ F
Capacitance Tolerance	$\pm 5\%$	
Rated AC Voltage (Urms)	930	V
Rated DC Voltage (Un)	1700	V
Maximum Current (Imax) @ θ_{MAX}	24	A
Self-inductance	< 200	nH
Equivalent series resistance (RESR)	< 30	m Ω
Typical tan d (10E-4)	4,0	(Measure @ 50Hz)
Thermal resistance natural cooling (R _{THN})	1,3	$^{\circ}$ C/W

Filler material	Polyurethane Resin
Dielectric	PPM Film
Over pressure safety device	
Aluminium case	
Weight	≤ 900 g

MAXIMUM RATINGS

Over voltage	1.1 Un	8hours/day
Non-recurrent surge voltage (Us)	3250	V
Maximum peak current (I _{PK})	36	A
Max. Voltage raise of rise (dV/dt)	40	V/ μ s
Maximum surge current (Is)	2,6	kA

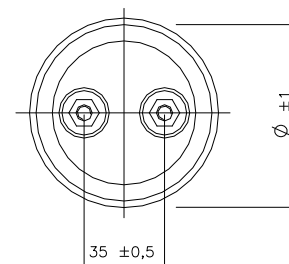
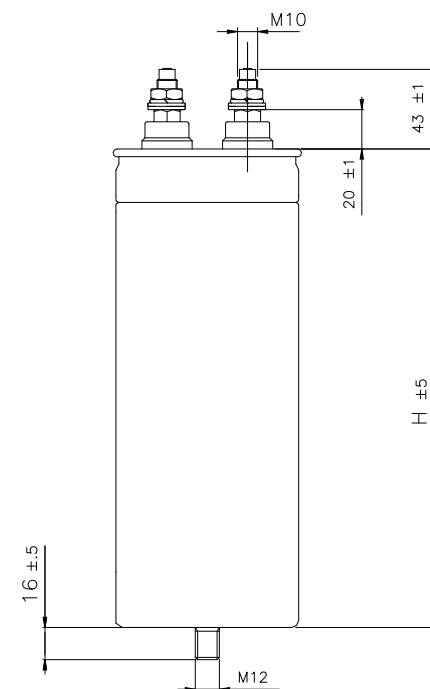
TEST DATA

DC Test voltage terminal to terminal	2,15xUn x 10s	Vac 50Hz
AC test voltage terminal to case	6kVx 10 s	Vac 50Hz

CLIMATIC CATEGORY

Min.operating temperature (θ_{MIN})	-25	$^{\circ}$ C
Max. operating temperature (θ_{MAX})	+70	$^{\circ}$ C
Storage temperature	-40 +85	$^{\circ}$ C
Altitude maximum	2000m	a.s.l.

Failure quota	300/10E9
Expected life (Ln)	100.000 h @ 930Vac / 50Hz



Ø [mm]	H [mm]	A
75 ± 1	180 ± 5	M10

Humidity category	In accord. with DIN 40040	F
Insulating	In accord. with UL 810/ UL 840	
Vibration resistance	In accord. with EIA STAND. RS-186-7E	

Maximum Fixing Torque for M10 terminals*	6 [Nm]
Fixing Stud	M12

*To avoid breaking, complete the tightening of the nuts using two wrenches.

STANDARDS

EN 61071-1/2
UL - CSA approval [File No. E192559]

Total elongation is about 35 mm after the overpressure disconnecter release.
Don't use rigid connections.

Release	Date	Description	Technician
-	16/05/07	First issue	A. Govoni