

DUCATI energia	CAPACITOR for POWER ELECTRONICS	C = 50 μ F 330 Vac
S.p.A		Part. Number : 416422944

CHARACTERISTICS

Rated Capacitance	50	μ F
Capacitance Tolerance	$\pm 5\%$	
Rated AC Voltage (Urms)	330	Vac
Rated DC Voltage (Un)	600	Vdc
Maximum Current (Imax)	10	A
Series resistance (Rs)	< 4	mOhm
Dissipation factor (tan d x 10E-4)	< 6.5	(50 Hz)

Dry metallized polypropylene capacitors.
The case is made of aluminium.
The capacitive element is enclosed in an insulated can completely sealed.
The cap is made of a thermoplastic elastomer material.

MAXIMUM RATINGS

Peak voltage (Us)	1.1xUn	V
Voltage rate of rise (dV/dt)	15	V/ μ s

TEST DATA

DC Test voltage terminal to terminal	1,5xUn x 10s	Vdc
AC test voltage terminal to case	3kVx 10 s	Vac 50Hz

CLIMATIC CATEGORY

Min.limit temperature (To min)	-25	$^{\circ}$ C
Max limit temperature (To max)	+70	$^{\circ}$ C
Storage temperature	-40 +85	$^{\circ}$ C

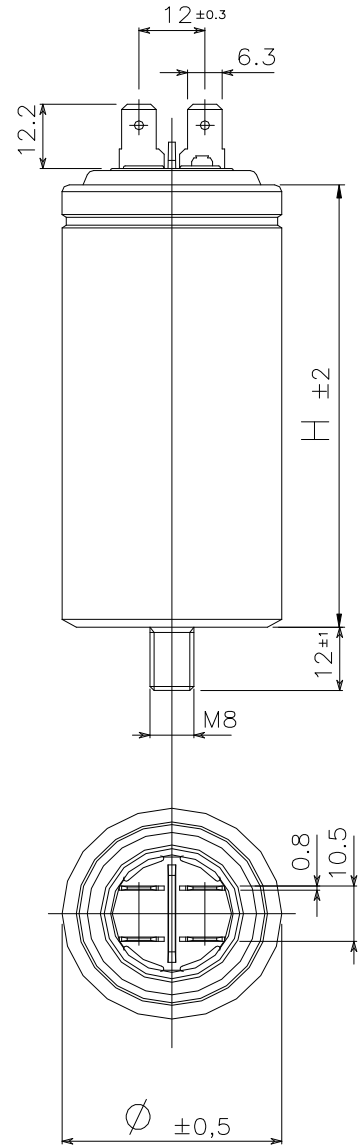
Failure quota 300/10E9

Expected life (Ln) 80.000h

Humidity category in accord. with DIN 40040

Insulating in accord. with UL 840

Vibration resistance in accord. with EIA STAND. RS-186-7E



6,3 x 0,8 mm Double Taq solution

Fixing Stud : M8

\varnothing (mm)	H (mm)
55 \pm 0,5	132 \pm 2

Total elongation is about 15 mm after the overpressure disconnecter release.
Don't use rigid connections.