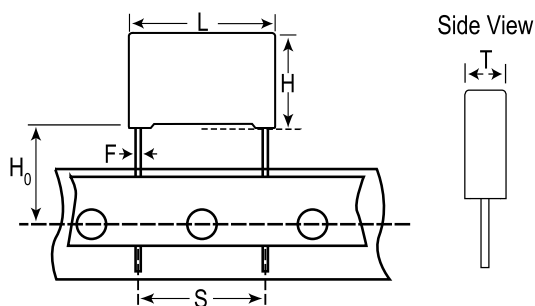


KEMET Part Number: R76II3330DQ70K
(76II3330DQ70K)

Film, Double Metallized Polypropylene, Commercial Grade, KEMET, R76, 0.33 uF, 10%, 250 V, 85C, Lead Spacing = 15mm



General Information	
Dielectric:	Double Metallized Polypropylene
Style:	Radial
Supplier:	KEMET
Series:	R76
Features:	Pulse
RoHS:	Yes
Lead:	Wire Leads
AEC-Q200:	Yes
Miscellaneous:	Voltage Derating: 1.35%/C Above 75C (AC), 1.25%/C Above 85C (DC)

Dimensions	
L	18mm +0.5mm
H	12mm +0.1mm
T	13mm +0.2mm
S	15mm +/-0.4mm
H0	18mm +/-0.5mm
F	0.8mm +/-0.05mm

Packaging Specifications	
Packaging:	Ammo, 360x340x59mm, Box
Packaging Quantity:	280

Specifications	
Capacitance:	0.33 uF
Capacitance Tolerance:	10%
Voltage DC:	250 VDC
Voltage AC:	160 VAC
Temperature Range:	-55/+105C
Rated Temperature:	85C
Dissipation Factor:	0.1% 1kHz, 0.06% 10kHz, 0.1% 100kHz
Max dVdt:	550 V
Inductance:	10 nH