

PRODUCT SPECIFICATION

**PRODUCT: CERAMIC DISC CAPACITOR
SAFETY RECOGNIZED**

TYPE: AC SERIES

CUSTOMER: _____

DOC. NO.: POE-D11-02-E-24

Ver.: 24

APPROVED BY CUSTOMER

VENDOR :

HITANO ENTERPRISE CORP.

7F-7, NO.3, WUCHUAN 1ST
ROAD, NEW TAIPEI INDUSTRIAL
PARK, NEW TAIPEI CITY,
TAIWAN, R.O.C.
TEL:+886222991331(REP.)
FAX:+886222982466





MAKER :

PAN OVERSEAS (GUANGZHOU) ELECTRONIC CO.,LTD.



NO.277,HONG MING ROAD,EASTERN SECTION,
GUANG ZHOU ECONOMIC AND TECHNOLOGY
DEVELOPMENT ZONE,CHINA



		POE-D11-02-E-24
CERAMIC DISC CAPACITOR SAFETY RECOGNIZED, AC SERIES	Ver : 24	Page: 2 / 19

Record of change

Date	Version	Description	page
2008.6.3	1	1. D23-00-E-01(before) → POE-D11-00-E-01(1 st edition)	
2008.8.22	2	1 Complete lead code 2. Add last SAP code “ H” for halogen and Pb free , epoxy resin..	20 3
2008.12.12	3	1.Complete the 13 th to 17 th codes of SAP P/N. 2. Page layout adjustment.	4
2009.7.16	4	1. Complete Marking statement. 2. Revised standard NO. of SEV, SEMKO, FIMKO, NEMKO, DEMKO and KEMA. Revised recognized NO. of FIMKO, NEMKO, DEMKO ,KEMA and CQC. 3. Downsize :	9 11
2009.9.14	5	1. “Protrusion length”: “+0.5 to-1.0” revised to “2.0max (Or the end of lead wire may be inside the tape.)”	9
2009.12.24	6	1. Marking 2. Correct recognized No 3. Revised the Figure of impulse voltage test(Item 7.3.14) according to the standard IEC 60384-14 ed.3	10 11 14
2011/1/13	7	1. Review SAP P/N about diameter code: 2. Delete “AT” taping type. 3. Add test item “Temperature Cycle ”. 4. Add item 10 “Drawing of internal structure and material list”	6 4,5,8,9 15 20
2011/4/27	8	1. Add “1AC” type; 2. Delete “old P/N” 3. Define the marking of the type “0AC” and “1AC”; 4. Review the “Standard No. & Subclass & W.V. & Recognized No”.	4 6 8 9
2012/2/7	9	1. Review the “Standard No. & Subclass & W.V. & Recognized No”. 2. Review the “Operating Temperature Range” from “-25 to +125°C” to “-40 to +125°C” 3. Review the temperature of Step 1 from “-25+0/-3” to “-40+0/-3”	9 10 14
2012/4/6	10	1. In order to improve the traceability of the product, change the date code on capacitor body, new date code can trace back to production “Lot No.”	8
2013/5/6	11	1. Review the Lead diameter ϕ from 0.60 +0.1/-0.05mm to 0.5+/-0.1mm 2. In order the customer to know the round time of manufacture, review the date code on capacitor body, new date code can know the month of manufacture. 3. Delete “No marked with “ _ ” stand for Pb free”. Add “epoxy resin” 4. Review the Solderability time from 2±0.5s to 5±0.5s	5,6,7 8 8 11
2014/11/5	13	1. Review the terminal position of the lead wire. 2. Review the minimum packing quantity of taping code AM.	8 16
2014/12/25	14	1. Add“3.1Nominal parts&3.2 special for surge parts” for “3. Part numbering/T.C/Capacitance/ Tolerance/Diameter”	7
2015/5/27	15	Add the X1:440Vac/Y2:300Vac safety approval for CQC.	4,10
2015/8/4	16	Delete the H(Inside kink lead)	5,8

		POE-D11-02-E-24
CERAMIC DISC CAPACITOR SAFETY RECOGNIZED, AC SERIES	Ver : 24	Page: 3 / 19

Date	Version	Description	page
2015/11/12	17	1. Review the normal parts of Taping type 2. Review Marking	6,7 9
2016/1/27	18	1. Review the Available lead code of Lead Configuration 2. Revised standard NO. of VDE, SEV, SEMKO, FIMKO, NEMKO, DEMKO and KTL.	5 10
2016/5/3	19	1. Delete 6 pF~10 pF for P/N CH*AC***D06**, 12 pF~15 pF for P/N CH*AC120J06**, 18 pF~24 pF for P/N CH*AC***J07**, 27 pF~33 pF for P/N CH*AC***J08**, and 36 pF~39 pF for P/N CH*AC***J09**.	6
2016/11/1	20	1. Review the Available lead code of Lead Configuration 2. Delete “CH” series. 3. Revised the Marking for 1AC type.	5 4,6,11~15,20 9
2017/6/26	21	1. Revise CQC Standard No.	10
2018/8/11	22	1. Revised standard NO. of VDE, SEV, SEMKO, FIMKO, NEMKO and DEMKO.	10
2019/2/25	23	1. Delete “3.2 Special design parts” for surge withstanding	7
2019/4/24	24	1. “Protrusion length”: “2.0max (Or the end of lead wire may be inside the tape.)” revised to “+0.5to-1.0 (Or the end of lead wire may be inside the tape.)” 2. Add “Soldering Recommendation”	7 18

Table of Contents

No.	Item	Page
1	Part number for SAP system	4
2	Mechanical	5
3	Part numbering/T.C/Capacitance/Tolerance/Diameter	6
4	Taping Format	7
5	Marking	8
6	Scope	9
7	Specification and test method	10~13
8	Packing specification	14
9	Notices	15~17
10	Soldering Recommendation	18
11	Drawing of Internal Structure and material list	19

1 Part numbering

(Ex.) **YV** **0AC** **472** **M** **10** **0** **L** **20** **C** **7** **H**
 (1) (2) (3) (4) (5) (6) (7) (8) (9) (10) (11)

(1)Temperature characteristic (identified code)

CODE	SL	YP (Y5P)	YV(Y5V)	YU (Y5U)
Cap. Change	-1000~+350PPM/°C (+20°C~+85°C)	±10%	-80% ~ +30%	-55% to +20%

Remark(brevity code): Y5P**7**B、Y5V**7**F、Y5U**7**E

(2)TYPE (identified by 3-figure code) : 0AC = X1:400Vac/Y2:250Vac

1AC = X1:440Vac/Y2:300Vac (Only Approval by VDE/ENEC/UL/CSA, marking VDE/ENEC)

(3)Capacitance (identified by 3-figure code) : EX.221=220pF

(4)Capacitance tolerance (identified by code) : C:±0.25pF,D:±0.5pF,J:±5%,K:±10%,M:±20%

(5)Nominal body diameter dimension (identified by 2-figure code) : 06--Dmax7.0mm, 07--Dmax8.0mm...

(6)Internal code: 0--Normal, other code--Special control

(7)Lead Style : Refer to “2. Mechanical”.

(8)Packing mode and lead length (identified by 2-figure code)

Taping Code	Description
AF	Ammo box and product pitch : 15.0 mm
AM	Ammo box and product pitch : 25.4 mm

Bulk Code	Description
3E	Lead length : 3.5mm
04	Lead length : 4.0mm
4E	Lead length : 4.5mm
20	Lead length : 20.0mm

(9) Tolerance of lead length

Code	Description
A	±0.5 mm (only for kink lead type)
B	±1.0 mm
C	Min.
D	Taping special purpose

(10)Lead space

Code	Description
7	7.5±1.0 mm
M	7.5±0.5 mm
0	10±1.0 mm
A	10±0.5 mm

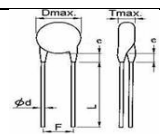
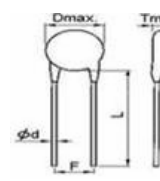
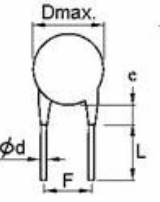
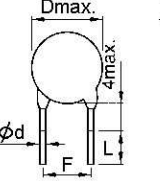
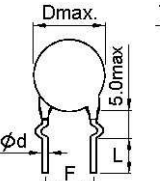
(11)Epoxy resin code

Code	Description
B	Pb free, Epoxy Resin
H	Halogen and Pb free , epoxy resin.

2 Mechanical

Encapsulation : Epoxy resin, flammability UL94 V-0

Available lead code(unit: mm)

Lead type	SAP P/N (13-17)digits	Lead space (F)	Lead Length (L)	Packing	Lead Configuration
Lead style : L Type L Straight long lead	L20C7	7.5 ± 1.0	20 min.	Bulk	
	L20C0	10 ± 1.0	20 min.		
Lead style : B Type B Straight long lead	BAFD7	Refer to "4. Taping format"		Tap. Ammo	
	BAMD7				
	BAMD0				
Lead style : L Type L Straight short lead	L03B7	7.5 ± 1.0	3.0 ± 1.0	Bulk	
	L4EB7	7.5 ± 1.0	4.5 ± 1.0		
	L05B7	7.5 ± 1.0	5.0 ± 1.0		
	L03B0	10 ± 1.0	3.0 ± 1.0		
	L4EB0	10 ± 1.0	4.5 ± 1.0		
	L05B0	10 ± 1.0	5.0 ± 1.0		
Lead style : D Type D Vertical kink lead	D3EA7	7.5 ± 1.0	3.5 ± 0.5	Bulk	
	D04A7	7.5 ± 1.0	4.0 ± 0.5		
	D3EA0	10 ± 1.0	3.5 ± 0.5		
	D04A0	10 ± 1.0	4.0 ± 0.5		
	DAFD7	Refer to "4. Taping format"		Tap. Ammo	
	DAMD7				
	DAMD0				
Lead style : X Type X Outside kink lead	X3EA7	7.5 ± 1.0	3.5 ± 0.5	Bulk	
	X04A7	7.5 ± 1.0	4.0 ± 0.5		
	X05B7	7.5 ± 1.0	5.0 ± 1.0		
	X3EA0	10 ± 1.0	3.5 ± 0.5		
	X04A0	10 ± 1.0	4.0 ± 0.5		
	X05B0	10 ± 1.0	5.0 ± 1.0		
	XAFD7	Refer to "4. Taping format"		Tap. Ammo	
	XAMD7				

* Lead diameter Φd: 0.55±0.05mm

* e (Coating **extension** on leads): 3.0mmMax for straight lead lead style; Not exceed the kink for kink lead.

**CERAMIC DISC CAPACITOR SAFETY RECOGNIZED,
AC SERIES**

Ver : 24

Page: 6 / 19

3 Part numbering/T.C./Capacitance/Tolerance/Diameter :
3.1 Normal parts:

SAP Part. No.	T.C.	Capacitance	Tolerance	Dimensions (unit:mm)				
				D (max)	T (max)	F		φd
						Bulk type	Taping type	
SL*AC***J060*	SL	10,12,15,18,20,22,24,27,30,33,36,39,47,50,51(pF)	±5%	7.0	5.0	7.5±1, 10±1	7.5±1 (AFD7)	0.55+/-0.05
SL*AC***J070*		56,62, 68,75(pF)	±5%	8.0				
SL*AC820J080*		82pF	±5%	9.0				
SL*AC101J090*		100pF	±5%	10.0				
YP*AC101K060*	Y5P	100 pF	±10%	7.0				
YP*AC151K060*		150 pF	±10%	7.0				
YP*AC221K060*		220 pF	±10%	7.0				
YP*AC331K060*		330 pF	±10%	7.0				
YP*AC471K060*		470 pF	±10%	7.0				
YP*AC561K070*		560pF	±10%	8.0				
YP*AC681K070*		680 pF	±10%	8.0				
YP*AC821K080*		820 pF	±10%	9.0				
YP*AC102K080*		1000 pF	±10%	9.0				
YU*AC102M060*		Y5U	1000 pF	±20%	7.0			
YU*AC152M080*	1500 pF		±20%	9.0				
YU*AC222M080*	2200 pF		±20%	9.0				
YU*AC332M100*	3300 pF		±20%	11.0				
YU*AC392M120*	3900 pF		±20%	13.0				
YU*AC472M120*	4700 pF		±20%	13.0				
YV*AC102M060*	Y5V	1000 pF	±20%	7.0				
YV*AC152M060*		1500 pF	±20%	7.0				
YV*AC222M060*		2200 pF	±20%	7.0				
YV*AC332M080*		3300 pF	±20%	9.0				
YV*AC392M100*		3900 pF	±20%	11.0				
YV*AC472M100*		4700 pF	±20%	11.0				
YV*AC682M120*		6800 pF	±20%	13.0				
YV*AC103M140*		10000 pF	±20%	15.0				

**CERAMIC DISC CAPACITOR SAFETY RECOGNIZED,
AC SERIES**

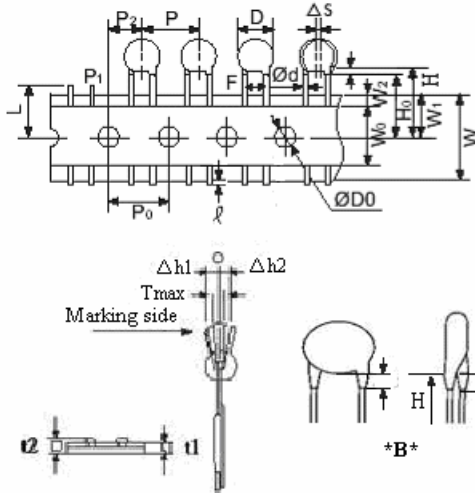
Ver : 24

Page: 7 / 19

4 Taping Format

- 15mm pitch/lead spacing 7.5mm taping

Lead Code: ***BAFD7 & *DAFD7 & *XAFD7**

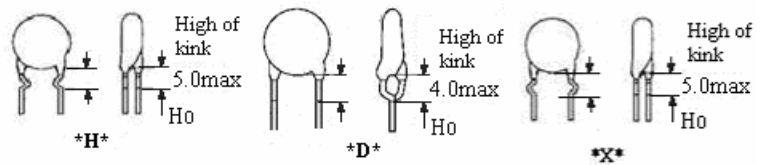
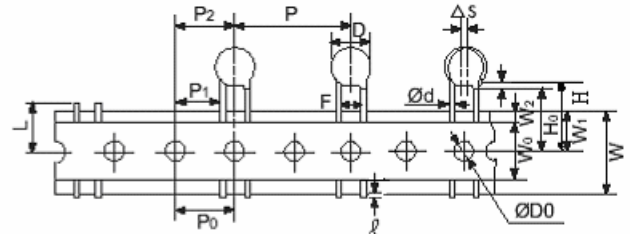


- 25.4mm pitch/lead spacing 10.0mm taping

Lead Code: ***DAMD0 & *XAMD0 & *HAMD0 & *BAMD0**

- 25.4mm pitch/lead spacing 7.5mm taping

Lead code: ***DAMD7 & *XAMD7 & *HAMD7 & *BAMD7**



POE Part Number		*BAFD7	*DAFD7 *XAFD7	*BAMD7 *DAMD7 *HAMD7 *XAMD7	*BAMD0 *DAMD0 *HAMD0 *XAMD0
Item	Symbol	Dimensions (mm)	Dimensions (mm)	Dimensions (mm)	Dimensions (mm)
Pitch of component	P	15.0	15.0	25.4	25.4
Pitch of sprocket	P0	15.0±0.3	15.0±0.3	12.7±0.3	12.7±0.3
Lead spacing	F	7.5±1.0	7.5±1.0	7.5±1.0	10.0±1.0
Length from hole center to component center	P2	7.5±1.5	7.5±1.5	12.7±1.5	12.7 ± 1.5
Length from hole center to lead	P1	3.75±1.0	3.75±1.0	8.95±1.0	7.7±1.5
Body diameter	D	See the “3. Part numbering/T.C/Capacitance/ Tolerance/Diameter”			
Deviation along tape, life or right	ΔS	0±2.0			
Carrier tape width	W	18.0 +1/-0.5			
Position of sprocket hole	W1	9.0±0.5			
Lead distance between the kink and center of sprocket hole	H0	---	18.0+2.0/-0	18.0+2.0/-0 (For: *DAMD7/ *XAMD7)	18.0+2.0/-0 (For: *DAMD0/ *HAMD0 / *XAMD0)
Lead distance between the bottom of body and the center of sprocket hole	H	20.0+1.5/-1.0	---	20.0+1.5/-1.0 (For: *BAMD7)	20.0+1.5/-1.0 (For: *BAMD0)
Protrusion length	ℓ	2.0max (Or the end of lead wire may be inside the tape.)			
Diameter of sprocket hole	D0	4.0±0.2			
Lead diameter	φd	0.5±0.1			
Total tape thickness	t1	0.6±0.3			
Total thickness, tape and lead wire	t2	1.5 max.			
Deviation across tape	Δh1/Δh2	2.0 max.			
Portion to cut in case of defect	L	11.0 max.			
Hole-down tape width	W0	8.0 min			
Hole-down tape distortion	W2	1.5±1.5			
Coating extension on leads	e	3.0 max for straight lead style; Not exceed the kink leads for kink lead.			
Body thickness	T	See the “3. Part numbering/T.C/Capacitance/ Tolerance/Diameter”			

**CERAMIC DISC CAPACITOR SAFETY RECOGNIZED,
AC SERIES**

Ver : 24

Page: 8 / 19

5. Marking :

1. Type Designation	AC
2. Nominal Capacitance	3-digit-system
3. Capacitance Tolerance	C:±0.25pF, D:±0.5pF, J:±5%, K:±10%, M:±20%
4. Company Name Code(Trade mark)	UK
5. Manufactured Date	Abbreviation ex.

6. Approved monogram:

6.1 VDE		6.3 CSA		6.5 NEMKO		6.7 FIMKO		6.9 CQC	
6.2 UL		6.4 SEMKO		6.6 DEMKO		6.8 SEV			

Marking Ex.:	Type	Two sides marking		One side marking
	0AC (X1:400Vac/Y2:250Vac)			
1AC (X1:440Vac/Y2:300Vac)				

* The marking can be printed on either one side or two side of coating body. The marking shall be easily legible.
 * “**C**”, Marked with code “ _ ” stand for Halogen and Pb free epoxy resin.

6. Scope

THIS SPECIFICATION APPLIES TO CERAMIC INSULATED CAPACITORS DISK TYPE USED IN ELECTRONIC EQUIPMENT.

1. VDE/SEV/SEMKO/FIMKO/NEMKO/DEMKO/KEMA/UL/CSA recognized capacitor for Antenna coupling and AC line-by-pass.X1, Y2 Capacitor based on IEC 60384-14 3rd Edition (2005)
“UL, CSA recognized for across-the-line, line-by-pass” and antenna-isolation

2.Approval Standard and Recognized No.

Safety Standard	Standard No.	Subclass	w.v.	Recognized No.
UL	ANSI/UL 60384-14:2009	X1	400VAC or 440VAC	E146544
		Y2	250VAC or 300VAC	
CSA	CAN/CSA E60384-14:2009	X1	400VAC or 440VAC	2347969
		Y2	250VAC or 300VAC	
VDE (ENEC)	IEC60384-14	X1	400VAC or 440VAC	40001829
		Y2	250VAC or 300VAC	
SEV	IEC60384-14	X1	400VAC	14.0554
		Y2	250VAC	
SEMKO	IEC60384-14	X1	400VAC	1411212
		Y2	250VAC	
FIMKO	IEC60384-14	X1	400VAC	NCS/FI 28679
		Y2	250VAC	
NEMKO	IEC60384-14	X1	400VAC	P14219060
		Y2	250VAC	
DEMKO	IEC60384-14	X1	400VAC	D-03994-A1
		Y2	250VAC	
CQC	GB/T 14472-1998	X1	400VAC	CQC08001026519
		Y2	250VAC	
	IEC60384-14	X1	440VAC	CQC15001121984
		Y2	300VAC	
KTL	K60384-14	X1	400VAC or 440VAC	SU03065-14001
		Y2	250VAC	SU03065-14002
		Y2	300VAC	SU03065-14003A

7. Specification and test method

7.1 Operating Temperature Range :

-40 to +125°C

7.2 Test condition:

Test and measurement shall be made at the standard condition. (temperature 15~35°C, relative humidity 45~75% and atmospheric pressure 860~1060hpa). Unless otherwise specified herein.

If doubt occurred on the value of measurement, and measurement was requested by customer capacitors shall be measured at the reference condition. (temperature 20±2°C or 25 ± 2°C, relative humidity 60~70% and atmospheric pressure 860~1060hpa.)

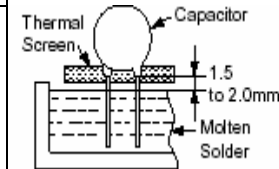
7.3 Performance:

Item		Specification	Testing Method
1	Dielectric Strength	Between lead wires No failure.	The capacitors shall not be damage when AC2600V are applied between the lead wires for 60 sec.
		Body Insulation No failure.	First the terminal of capacitor shall be connected together. Then a metal foil shall be closely wrapped around the body of the capacitor distance of about 3 to 4 mm from each terminal. Then the capacitor shall be inserted into a container filled with metal balls of about 1 mm diameter. Finally. AC2600V is applied for 60 sec. between the capacitor lead wires and metal balls.
2	Insulation Resistance(I.R.)	10000MΩ min.	The insulation resistance shall be measured with 500±50VDC with 60±5sec. of charging.
3	Capacitance	Within specified tolerance	
4	Dissipation Factor(D.F.) or Q	Char. Specification	B&E&F: The capacitance shall be measured at 20±2°C with 1kHz±20% and 5V(rms.) or less. CH&SL: The capacitance shall be measured at 25°C with 1MHz±20% and 1.0±0.2Vrms
		B,E D.F ≤ 2.5%	
		F D.F ≤ 5.0%	
		SL Q: 30pF&above: ≥ 1000 Below 30PF: ≥ 400+20×C	
5	Temperature Characteristic	Char. Capacitance Change	The capacitance measurement shall be made at each step specified in table 1. (Table 1) Pr-treatment : Capacitor shall be stored at 85±2°C for 1 hour. Then placed at room condition for 1(※)24±2 hours before measurement
		B Within ± 10%	
		E Within ± _{5.5} ²⁰ %	
		F Within -80 ~ +30%	
		SL -1000~+350 ppm/°C (+20°C~+85°C)	
6	Robustness of Termination	Tensile Lead wire shall not cut off capacitor shall not be broken.	With the termination in its normal position the specimen is held by its body in such a manner that the axis of the termination is vertical : the tensile force of 10N shall be applied to the termination in the direction of its axis and acting in a direction away from the body of the specimen.
		Bending Lead wire shall not cut off capacitor shall not be broken.	With the termination in its normal position the specimen is held by its body in such a manner that the axis of the termination is vertical : a mass applying a force of 5N is then suspended from the end of the termination. The body of the specimen is then inclined within a period of 2 to 3 sec., through an angle of approximately 90° in the vertical plane and then resumed to its initial position over the same period of time; this operation constitutes one bend. One bend immediately followed by a second bend in the opposite direction.

※ "room condition" temperature : 15~35°C, humidity : 45~75%, atmospheric pressure : 86~106kPa

Item		Specification	Testing Method
7	Solderability of leads	Lead wire should be soldered with uniform coating on the axial direction over 3/4 of the circumferential direction.	<p>The lead wire of capacitor should be dipped into molten solder for 5 ± 0.5 sec.</p> <p>The depth of immersion is up to about 1.5 to 2.0 mm from the root of lead wires.</p> <p>Temp. of solder : Lead free solder (Sn-3Ag -0.5Cu) 245 ± 5 °C</p>
8	Soldering Effect (Non-Preheat)	Appearance	No marked defect
		I.R.	1000MΩ min.
		Dielectric Strength	Per Item 1.
		Capacitance	B,E,F : Within $\pm 10\%$ SL,CH: Within $\pm 2.5\%$ or $\pm 0.25\text{pF}$, Whichever is large.
8	Soldering Effect (On-Preheat)	Appearance	No marked defect.
		I.R.	1000MΩ min.
		Dielectric Strength	Per Item 1.
		Capacitance	B,E,F : Within $\pm 10\%$ SL,CH: Within $\pm 2.5\%$ or $\pm 0.25\text{pF}$, Whichever is large.

As shown in figure, the lead wires should be immersed in solder of 350 ± 10 °C or 260 ± 5 °C up to 1.5 to 2.0mm from the root of Terminal for 3.5 ± 0.5 sec (10 ± 1 sec for 260 ± 5 °C)

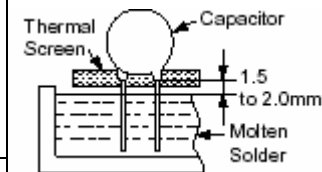


Pre-treatment:
Capacitor shall be stored at 85 ± 2 °C for 1hour, then placed at ^{※1}room condition for 24 ± 2 hours before initial measurements.

Post-treatment:
Capacitor shall be stored for 1 to 2hours at ^{※1}room condition.

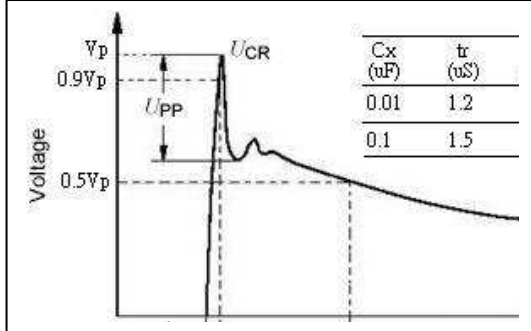
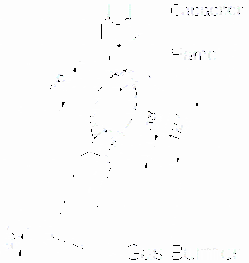
First the capacitor should be stored at $120 + 0 / -5$ °C for $60 + 0 / -5$ sec.

Then, as in figure , the lead wires should be immersed solder of $260 + / -5$ °C up to 1.5 to 2.0 mm from the root of terminal for $7.5 + 0 / -1$ sec.

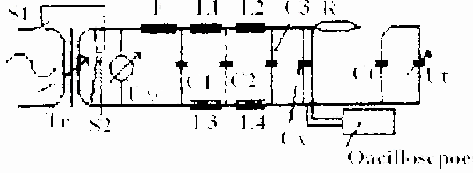
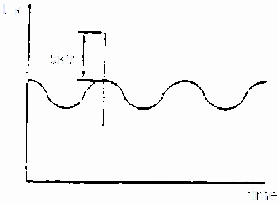
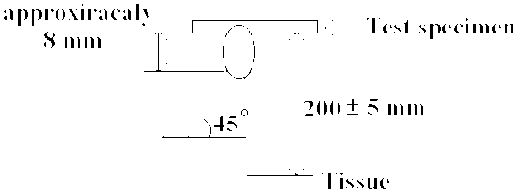


Pre-treatment:
Capacitor shall be stored at 85 ± 2 °C for 1hour, then placed at ^{※1}room condition for 24 ± 2 hours before initial measurements.

Post-treatment:
Capacitor shall be stored for 1 to 2hours at ^{※1}room condition.

Item		Specification	Testing Method			
9	Humidity (Under Steady State)	Appearance	Set the capacitor for 500±12 hours at 40±2°C, in 90 to 95% humidity. Then capacitor shall be stored for 1 to 2 hours at room condition.			
		Capacitance				
		D.F.				
10	Humidity Loading	Q	Apply the rated voltage for 500±12 hours at 40±2°C, in 90 to 95% humidity and set it for 1 to 2 hours at room condition.			
		I.R.				
		Appearance				
11	Life	Capacitance	Impulse Voltage: Each individual capacitor shall be subjected to a 5kv impulses for three times. After the capacitors are applied to life test. 			
		I.R.				
		Dielectric Strength				
		Appearance				
12	Flame Test	The capacitor flame discharge as follows.	The capacitor shall subject to applied for 15 sec And then removed for 15 sec, until 5 cycles. Fig. 			
		<table border="1"> <thead> <tr> <th>Cycle</th> <th>Time</th> </tr> </thead> <tbody> <tr> <td>1~4</td> <td>30 sec, max.</td> </tr> <tr> <td>5</td> <td>60 sec, max.</td> </tr> </tbody> </table>		Cycle	Time	1~4
Cycle	Time					
1~4	30 sec, max.					
5	60 sec, max.					

※ "room condition" temperature : 15~35°C, humidity : 45~75%, atmospheric pressure : 86~106kPa

Item	Specification	Testing Method
<p>13</p> <p>Active Flammability</p>	<p>The cheesecloth shall not be on fire.</p>	<p>The specimens shall be individually wrapped in at least one but more than two complete layers of cheesecloth. The specimens shall be subjected to 20 discharges. The interval between successive discharges shall be 5sec. The Uac shall be maintained for 2 min. after the last discharge.</p> <p>Fig.</p>  <p> C1,2 : 1Mf±10% C3 : 0.03Mf±5% 10KV L1-4 : 1.5Mh±20% 16A Rod core choke R : 100Ω±2% Ct : 3Mf±5% 10KV Uac : Ur±5% Ur : Rated working voltage Cx : Capacitor F : Fuse, Rated 10A Ut : Voltage applied to Ct </p> 
<p>14</p> <p>Passive Flammability</p>	<p>The burning time shall not be exceeded the time 30 sec. The tissue paper shall not ignite.</p>	<p>The capacitor under test shall be held in the flame in the position, which best promotes burning. Each specimen shall only be exposed once to the flame.</p> <p>Time of exposure to flame : 30 sec Length of flame : 12±1 mm Gas burner: Length 35 mm min. Inside Dia. : 0.5±0.1 mm Outside Dia. : 0.9 mm max. Gas : Butane gas Purity 95% min.</p> <p>Fig.</p> 

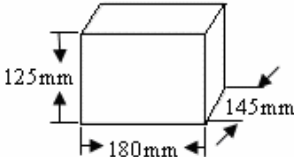
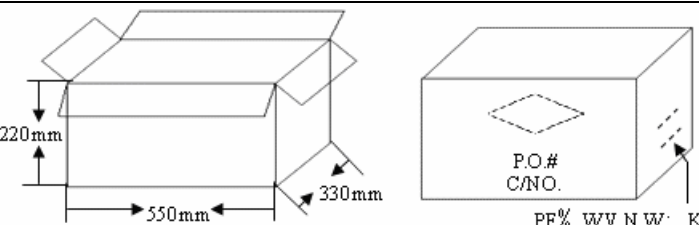
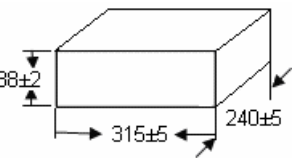
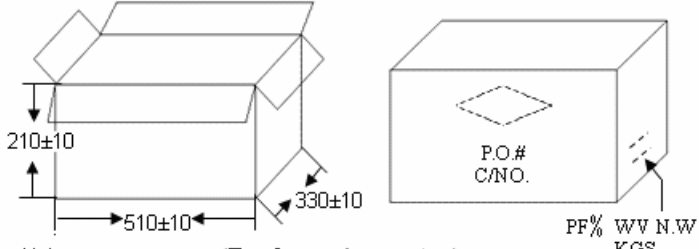
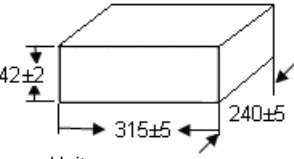
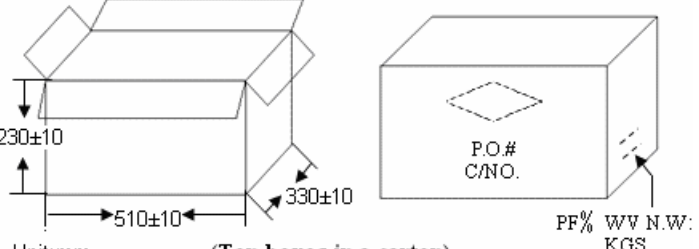
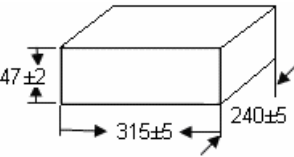
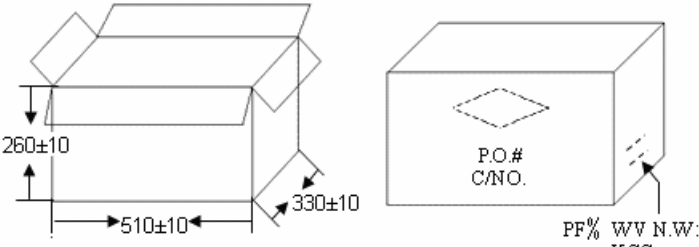
Item		Specification		Testing Method															
15	Temperature Cycle	Appearance		The capacitor should be subjected to 5 temperature cycles, <Temperature Cycle time: 5 cycles> <table border="1" style="margin-left: auto; margin-right: auto;"> <thead> <tr> <th>Step</th> <th>Temperature(°C)</th> <th>Time(min)</th> </tr> </thead> <tbody> <tr> <td>1</td> <td>-40+0/-3</td> <td>30</td> </tr> <tr> <td>2</td> <td>Room temp.</td> <td>3</td> </tr> <tr> <td>3</td> <td>125+3/-0</td> <td>30</td> </tr> <tr> <td>4</td> <td>Room temp.</td> <td>3</td> </tr> </tbody> </table> Pre-treatment: Capacitor shall be stored at 85±2°C for 1 hour. then placed at ^{*1} room condition for 24±2 hours. Post-treatment: Capacitor shall be stored for 1 to 2 hours at ^{*1} room	Step	Temperature(°C)	Time(min)	1	-40+0/-3	30	2	Room temp.	3	3	125+3/-0	30	4	Room temp.	3
		Step	Temperature(°C)		Time(min)														
		1	-40+0/-3		30														
		2	Room temp.		3														
		3	125+3/-0		30														
		4	Room temp.		3														
Char.	Cap. Chang	DF / Q																	
SL, CH	≤±5%	$Q \geq 275 + 5/2C$ (C < 30pF) $Q \geq 350$ (C ≥ 30pF)																	
B	≤±10%	DF ≤ 5.0%																	
E,F	≤±20%	DF ≤ 7.5%																	
I.R.		3000MΩ min.																	
Dielectric strength		Per Item 1																	
16	Appearance and Dimension	No visible defect, and dimensions are within specified range.		The capacitor should be visually inspected for evidence of defect. Dimensions should be measured with slide calipers.															
17	Marking	To be easily legible.		The capacitor should be visually inspected.															

※ "room condition" temperature : 15~35°C, humidity : 45~75%, atmospheric pressure : 86~106kPa

※ "C" expresses nominal capacitance value (pF).

8. Packing specification :

8.1 Packing size:

	Box	Carton
Bulk		 PF% WV N.W: KG KPCS G.W: KG
Ammo taping		 Unit:mm PF% WV N.W: KGS
		 Unit:mm PF% WV N.W: KGS
		 Unit:mm PF% WV N.W: KGS

8.2 Packing quantity:

Packing type	The code of 14th to 15th in SAPP/N	MPQ(Kpcs/Box)
Taping	AF	1
	AM (The size code ≤ 11)	1
	AM (The size code ≥ 12)	0.5

Packing type	Lead length	Size code of 10th to 11th in SAPP/N	MPQ (Kpcs/Bag)	Kpcs/Box
Bulk	Long lead (L ≥ 20mm)	06~12	0.5	1.5
		13-15	0.5	1
	Short lead (L < 20mm)	06~14	0.5	2
		15	0.2	1
All	16	0.2	1	

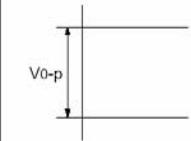
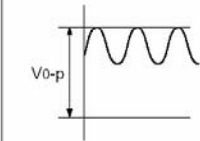
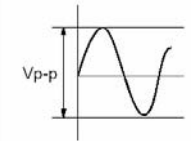
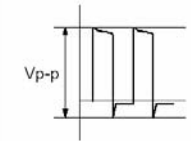
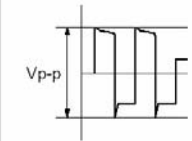
9. Notices:

9.1 Caution(Rating):

(1). Operating Voltage

Be sure to maintain the V_{p-p} value of the applied voltage or the V_{o-p} which contains DC bias within the rated voltage range.

When the voltage is started to apply to the circuit or it is stopped applying, the irregular voltage may be generated for a transit period because of resonance or switching. Be sure to use a capacitor within rated voltage containing this irregular voltage.

Voltage	DC Voltage	DC+AC Voltage	AC Voltage	Pulse Voltage (1)	Pulse Voltage (2)
Positional Measurement					

(2). Operating Temperature and Self-generated Heat

Keep the surface temperature of a capacitor below the upper limit of its rated operating temperature range. Be sure to take into account the heat generated by the capacitor itself. When the capacitor is used in a high-frequency current, pulse current or the like, it may have the self-generated heat due to dielectric-loss. Applied voltage should be the load such as self-generated heat is within 20°C on the condition of atmosphere temperature 25°C. When measuring, use a thermocouple of small thermal capacity-K of $\phi 0.1\text{mm}$ and be in the condition where capacitor is not affected by radiant heat of other components and wind of surroundings. Excessive heat may lead to deterioration of the capacitor's characteristics and reliability.

(3). Test condition for withstanding Voltage

I. Test Equipment

Test equipment for AC withstanding voltage shall be used with the performance of the wave similar to 50/60 Hz sine waves.

If the distorted sine wave or over load exceeding the specified voltage value is applied, the defective may be caused.

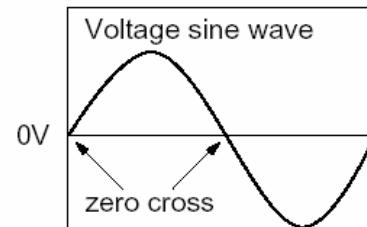
II. Voltage Applied Method

When the withstanding voltage is applied, capacitor's lead or terminal shall be firmly connected to the output of the withstanding voltage test equipment, and then the voltage shall be raised from near zero to the test voltage.

If the test voltage without the raise from near zero voltage would be applied directly to capacitor, test voltage should be applied with the *zero cross. At the end of the test time, the test voltage shall be reduced to near zero, and then capacitor's lead or terminal shall be taken off the output of the withstanding voltage test equipment.

If the test voltage without the raise from near zero voltage would be applied directly to capacitor, the surge voltage may arise, and therefore, the defective may be caused.

ZERO CROSS is the point where voltage sine wave pass 0V.- See the right figure.



(4).Fail-Safe

When capacitor would be broken, failure may result in a short circuit. Be sure to provide an appropriate fail-safe function like a fuse on your product if failure would follow an electric shock, fire or fume.

Failure to follow the above cautions may result, worst case, in a short circuit and cause fuming or partial dispersion when the product is used.

9.2 Caution (Storage and operating condition):

Operating and storage environment



The insulating coating of capacitors does not form a perfect seal; therefore, do not use or store capacitors in a corrosive atmosphere, especially where chloride gas, sulfide gas, acid, alkali, salt or the like are present. And avoid exposure to moisture. Before cleaning, bonding, or molding this product, verify that these processes do not affect product quality by testing the performance of a cleaned, bonded or molded product in the intended equipment. Store the capacitors where the temperature and relative humidity do not exceed -10 to 40 degrees centigrade and 15 to 85 %. Use capacitors within 6 months.

"Failure to follow the above cautions may result, worst case, in a short circuit and cause fuming or partial dispersion when the product is used."

9.3 Caution (Soldering and Mounting):

9.3.1 Vibration and impact:

Do not expose a capacitor or its leads to excessive shock or vibration during use.

		POE-D11-02-E-24
CERAMIC DISC CAPACITOR SAFETY RECOGNIZED, AC SERIES	Ver : 24	Page: 18 / 19

9.3.2 Soldering:

When soldering this product to a PCB/PWB, do not exceed the solder heat resistance specification of the capacitor. Subjecting this product to excessive heating could melt the internal junction solder and may result in thermal shocks that can crack the ceramic element.

When soldering capacitor with a soldering iron, it should be performed in following conditions.

Temperature of iron-tip: 400 degrees C. max.

Soldering iron wattage: 50W max.

Soldering time: 3.5 sec. max.

9.3.3 Cleaning (ultrasonic cleaning):

To perform ultrasonic cleaning, observe the following conditions.

Rinse bath capacity: Output of 20 watts per liter or less.

Rinsing time: 5 min maximum.

Do not vibrate the PCB/PWB directly.

Excessive ultrasonic cleaning may lead to fatigue destruction of the lead wires.

"Failure to follow the above cautions may result, worst case, in a short circuit and cause fuming or partial dispersion when the product is used."

9.4 Caution (Handling):

Vibration and impact

Do not expose a capacitor or its leads to excessive shock or vibration during use.

"Failure to follow the above cautions may result, worst case, in a short circuit and cause fuming or partial dispersion when the product is used."

10. Soldering Recommendation

10.1 Wave Soldering Profile:

Temperature conditions of the flow is recommended as shown in the chart

Must implement the pre-heat

Maximum peak flow temperature is recommended 265°C

Time "T" implement in the chart recommended within 20 sec. it temperature exceed 200°C

Take care with the flow solder not to touch the capacitor body directly at mounting

10.2 Recommended Reworking Conditions with Soldering Iron

Temperature of iron-tip: 400 degrees C. max.

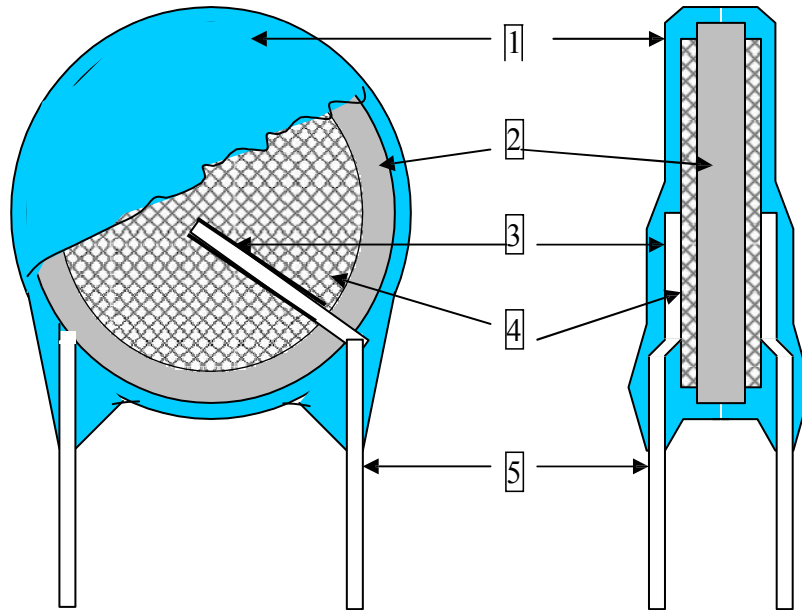
Soldering iron wattage: 50W max.

Soldering time: 3.5 sec. max.

Distance from coating body: 2 mm (min.)

10.3 Reflow-Soldering : Lead Ceramic Cap. should not be soldered by reflow-soldering.

10. Drawing of internal structure and material list :



Remarks :

No.	Part name	Material	Model/Type	Component
1	Insulation Coating	Epoxy polymer	1.EF-150C 2.EF-150(HF) 3.PCE-210 2.PCE-300(HF)	Epoxy resin、Pigment (Blue / UL 94 V-0 /) The minimum thickness of coating (reinforced insulation) is 0.4mm
2	Dielectric Element	Ceramic	CH/SL/Y5P/Y5U/Y5V	BaTiO ₃
3	Solder	Tin-silver	Sn96.5-Ag3-Cu0.5	Sn96.5-Ag3-Cu0.5
4	Electrodes	Ag	1.SP-160PL 2.SP-260PL	Silver 、Glass frit
5	Leads wire	Tinned copper clad steel wire	0.5±0.1 mm	Substrate metal: Fe & Cu Surface plating: Sn 100%(3~7μm)