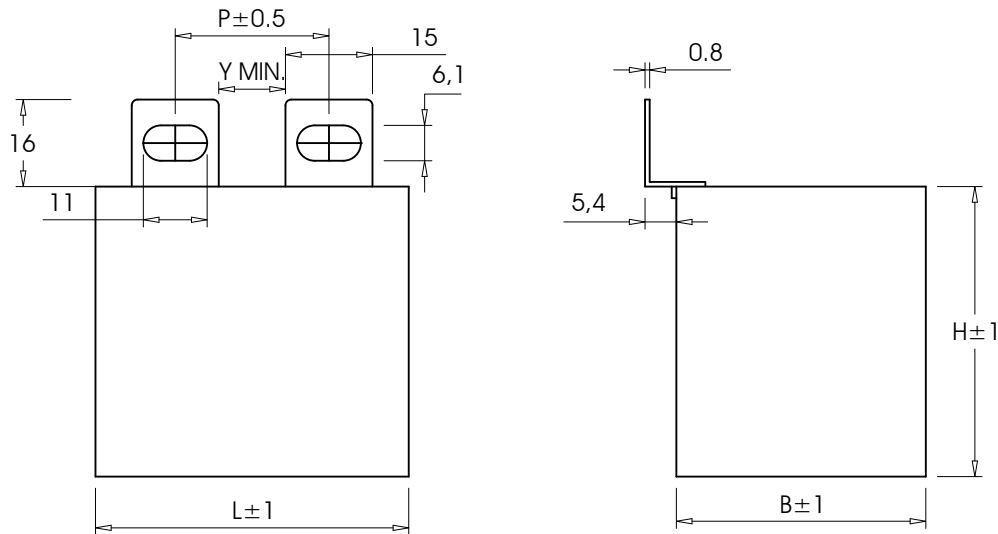


Capacitor Specifications	IGBT Snubber Capacitors	
Design reference no:	MP-4-271 REV 00	DATE: 11.08.2011
Description:	4.0 MFD K 1000 VDC C2 TL	

### Construction

Dielectric : Polypropylene Film  
 Capacitor electrodes: Double metallised plastic film

Customer: Ozdisan  
 Flame retardancy:UL94-V0



Dimensions are in mm

Case code	Dimensions						
C2	$B \pm 1$	$H \pm 1$	$L \pm 1$	$P \pm 0.5$	Y MIN	Terminal Style	
	4.3	5.0	5.4	2.7	11.5	TL	

### Electrical parameters

1	Nominal Capacitance at 1 KHz and 25 deg. C	4.0 Micro Farad
2	Capacitance Tolerance	K $\pm$ 10%
3	Rated Voltage DC at 25 deg. C	1000
4	Rated Voltage AC at 25 deg. C and 50 Hz.	575
5	Test voltage between terminals for 10 secs.	1600 Vdc
6	Tan D at 1Khz and 25 deg. C	< 0.0005
7	ESR at 100 KHz ( $\pm$ 30 % )	3.0 milli Ohms
8	Effective series inductance (ESL)	12 nH
9	IR at 25° C and at a test voltage of 100 Vdc applied for 60 secs.	> 30000 mega Ohms
10	Maximum DV/DT	450 V/mS
11	Irms at 100 KHz and 55 deg C	29.5 Amperes
12	Temperature range	-40 deg.C to +85 deg. C

Prepared by	Verified by	Approved by
-------------	-------------	-------------