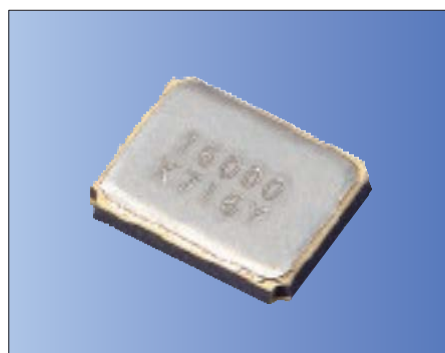


3.2×2.5mm for Consumer Products/ Mobile Communications



RoHS Compliant

### Features

- Crystal unit for Consumer Products
- Miniature and low profile (3.2×2.5×0.55mm)
- Ceramic package
- Reflow compatible
- AEC-Q200 qualified (Please contact us for Automotive use)

### Applications

- Digital Electronics
- Consumer Products
- Car audio and accessories
- Mobile Communications, Bluetooth®, Wireless LAN

\* Bluetooth® Trademarks are owned by Bluetooth SIG Inc.

### How to Order

CX3225SB 12000 □ □ □ □ □ □ □

- ① Series                      ② Frequency  
 ③ Load Capacitance      ④ Frequency Tolerance
- |           |       |          |                      |
|-----------|-------|----------|----------------------|
| <b>B0</b> | 6 pF  | <b>G</b> | ±15×10 <sup>-6</sup> |
| <b>D0</b> | 8 pF  |          |                      |
| <b>F0</b> | 10 pF |          |                      |
- ⑤ Operating Temp. Range    ⑥ Frequency Temp. Stability
- |           |              |                      |
|-----------|--------------|----------------------|
| <b>EJ</b> | -10 to +70°C | ±15×10 <sup>-6</sup> |
|-----------|--------------|----------------------|
- ⑦ Individual Specification

Packaging (Tape & Reel 3000/ 1000 pcs./ reel)

### Specifications

Item	Symbol	Specification	Units	Remarks
Frequency Range	f <sub>nom</sub>	12000 to 54000	kHz	
Overtone Order	OT	Fundamental	—	
Load Capacitance	CL	8	pF	
Frequency Tolerance	f <sub>tol</sub>	±15            ±10	×10 <sup>-6</sup>	25°C±3°C
Motional Series Resistance	R1	Table 1	ohm	
Drive Level	DL	Table 2	μW	
Operating Temp. Range	T <sub>use</sub>	-10 to +70    -30 to +85	°C	
Storage Temp. Range	T <sub>stg</sub>	-40 to +85	°C	
Frequency Temp. Characteristics	f <sub>tem</sub>	±15	×10 <sup>-6</sup>	Freq. deviation from the value at 25°C

• Please contact us for other specifications.

Table1 Motional Series Resistance

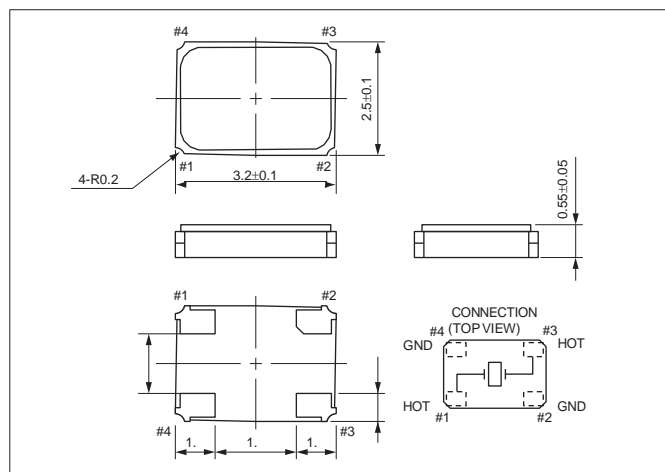
Frequency Range	Motional Series Resistance
12000 ≤ f <sub>nom</sub> < 13000 kHz	150 Ω max.
13000 ≤ f <sub>nom</sub> < 20000 kHz	80 Ω max.
20000 ≤ f <sub>nom</sub> ≤ 54000 kHz	50 Ω max.

Table2 Level of Drive

Frequency Range	Level of Drive
12000 ≤ f <sub>nom</sub> ≤ 54000 kHz	10 μW (100 μW max.)

### Dimensions

(Unit: mm)



### Recommended Land Pattern

(Unit: mm)

