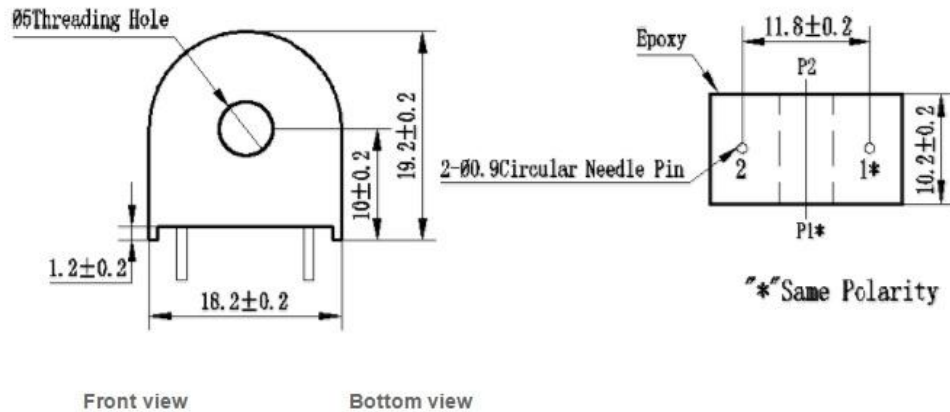


Structural parameter:



The main technical parameters:

Model	ZMCT102AA
input current	0~20A (100Ω)
Rated output current	2.5mA at input 5A
turns ratio	2000:1
phase angle error	5%~120%, Phase difference value between the two points $\leq 10^\circ$ (sampling resistor 100Ω)
linear range	0~20A (sampling resistor 100Ω)
linearity	0.1% (5%~120%)
Permissible error	$-0.1\% \leq f \leq +0.1\%$ (input 1A, sampling resistor 100Ω)
application	4500V
isolation voltage	High precision measurement of current and power
Encapsulation	Epoxy
installation	PCB mounting (Pin length > 3mm)
operating temperature	-40°C~+85°C

Direction for use:

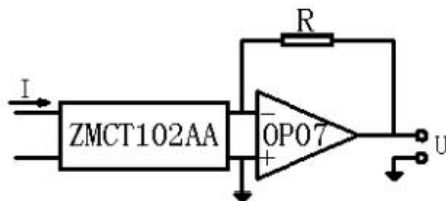


Figure I



$$U = \frac{I}{2000} \cdot R$$

I: input current
R: sampling resistor
U: sampling voltage

Figure II

1. The typical usage of the product is for the active output (Figure I) . R is a sampling resistor
2. The product can be directly through the resistance sampling , easy to use (Figure II) .