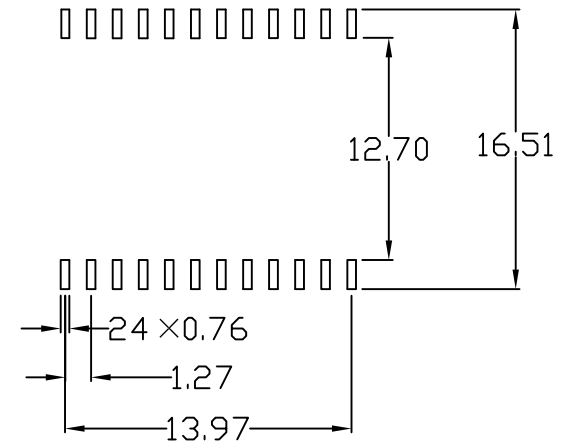
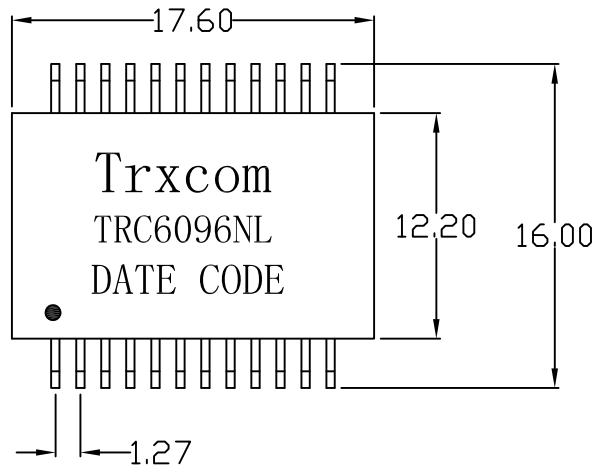
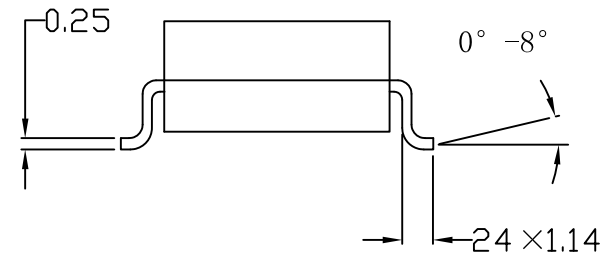
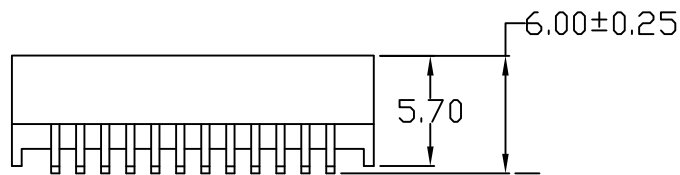


# Mechanical:

REV.	ECN NO.	DESCRIPTION	DATE	APPD
A	REL		2015-6-23	



SUGGESTED PAD LAYOUT



## NOTES:

1. Gigabit Transformer Modules With Power Over Ethernet Option
2. Exceeds IEEE 802.3at requirements with up to 1Amp supply current over 2 or 4 pairs
3. For RoHS part add suffix NL
4. Maximum reflow temperature is 250°C, 5 Sec.
5. UL certification: file number E321120

X:X	APPD:	Trxcom		
X:XX ±0.25	CHKD:	HuiZhou Trxcom Electronics Co.,Ltd.		
X:XXX	DR: SEA	TITLE: 1000Base-T Magnetic Modules For PoE+ Application		
ANGLES ±1°	UNIT: mm	PART NO.: TRC6096NL		
	SCALE: 2/1	SHEET: 1/2	REV: A	DWG NO.: TRC12042319