

Technical Document

FD 1238 24 B 45 PRH

With CviLux Connector

200310



2019, Brussels

Features

Parameter	Units	Specifications
Dimensions	mm	120x120x38
Weight	gram	380
Power Supply	VDC	24
Operating Voltage	VDC	15~27
Current	A	1.30
Power Input	W	31.20
Speed	RPM	4500
Air Flow	cfm	234.65
Static Pressure	mmH ₂ O	27.20
Sound Level	dBA	64.6
Operating Temp.	°C	-10~+70
Life	hours	70000 @40°C, <65%RH
Bearing	-	Ball bearing
Housing Material	-	Aluminum alloy
Impeller Material	-	UL 94-0 rating thermoplastic
Other Function	-	- Rotation detection (RD) - Speed control (PWM)
Electrical Connection	-	#22 AWG Lead wires, 500±10 mm
CviLux Connector P/N	Housing	CP3504S001S-NH
	Crimp	CP35TN21PES
Polarity Protection	-	Open circuit when Vcc and GND are exchanged.
Motor Protection	-	Impedance protected
Certifications	-	CE

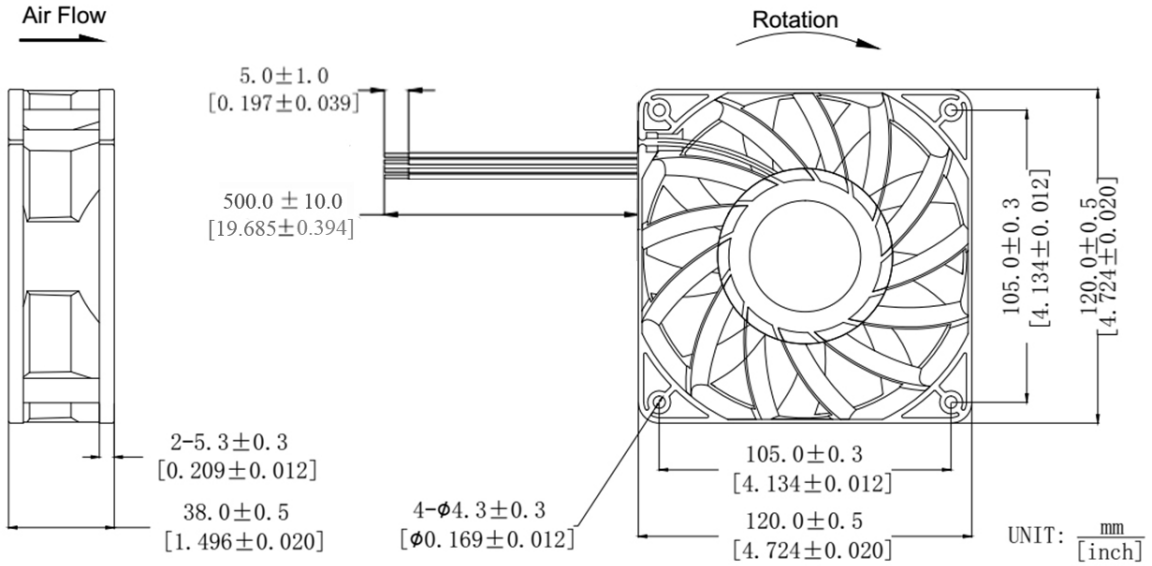
*: above specifications are subject to change without prior notice

Wiring Description:

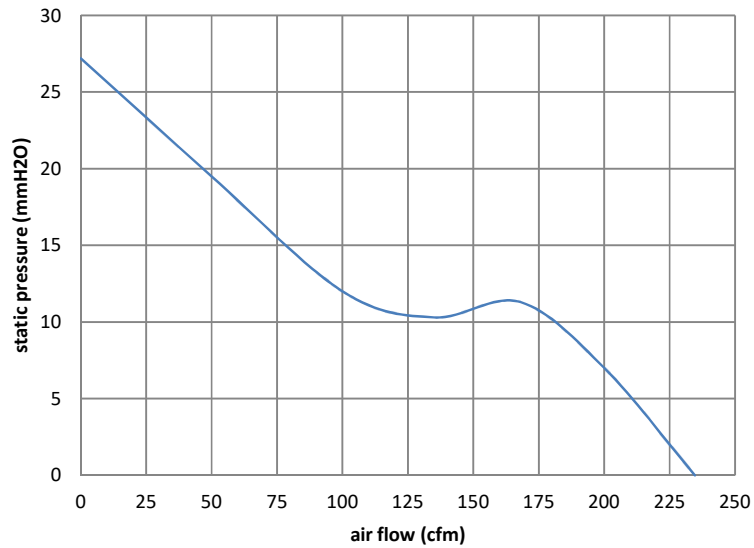
Color	Function	Connector No.
Red	Positive	1
White	RD Signal	2
Blue	PWM Control	3
Black	Negative	4



Dimensions

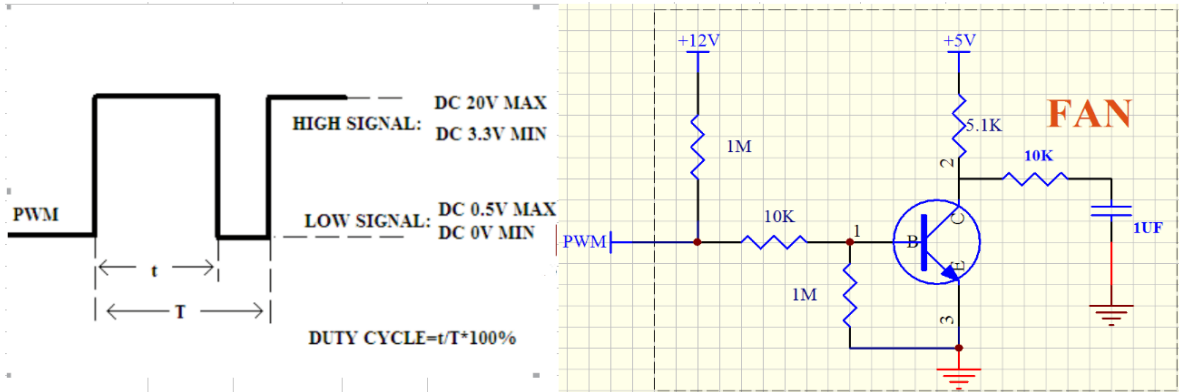


Performance



PWM speed control:

Input PWM frequency range: **300hz-30Khz**

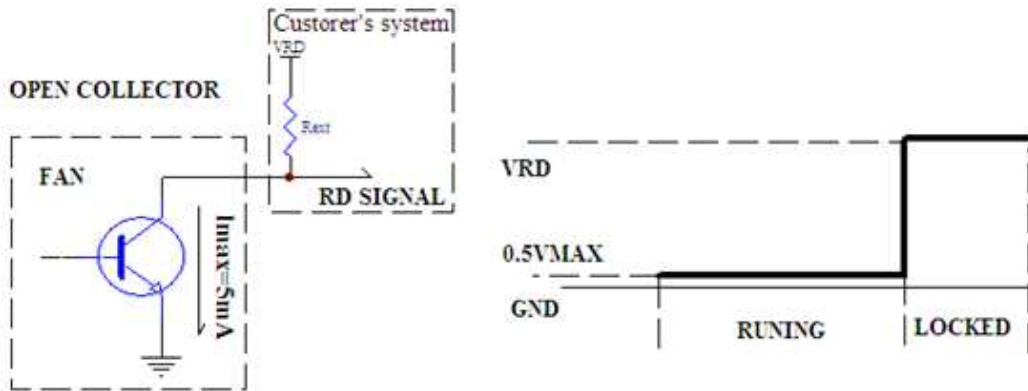


RD detection:

An External equipment will distinguish whether the fan is working or not through the inspection of the RD output signal. RD output circuit is in open collect mode.

RH type: When running, RD output is at low voltage level (Vce); when locked, output is at high voltage level (VRD). Choose Rext careful to avoid damaging the circuit.

VRD= 19V_{max} $I_{max}=5 \text{ mA}$ $R_{ext} (\text{min}) = VRD/I_{max}$ $V_{ce}=0.5V_{max}$



Ordering Code:

Model	Part Number	Description
FD1238H 24 B 45 PRH	200310	DC120x120x38 fan, ball bearing, high air flow, 24VDC, 4500 rpm, with PWM and rotation detection functions, CviLux connector.