

SAVIOR AC AXIAL FAN

SA25489

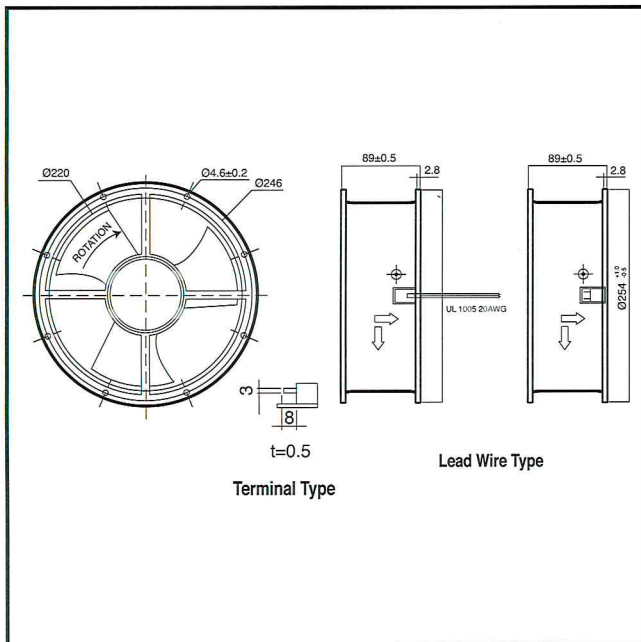
254Øx89mm

DESIGN FEATURES

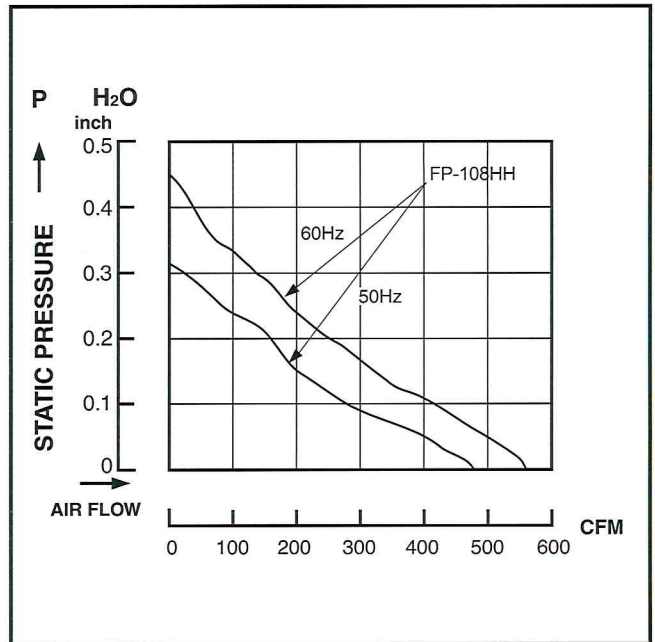
- *BEARING SYSTEM: BALL BEARING
- *IMPELLER: PLASTIC WITH FIBER GLASS FILLED UL 94V-0
- *HOUSING: DIE CAST ALUMINUM PAINTED BLACK
- *MOTOR: CAPACITOR INDUCTION MOTOR
- *PROTECTION: THERMAL PROTECTION
- *CONNECTING: WIRE LEADS & TERMINAL
- *OTHER VOLTAGE: 100,200VAC(50/60Hz)ARE AVAILABLE



DIMENSIONS:MM



PERFORMANCE



SPECIFICATIONS

Specifications are subject to change without notice

MODEL NO.	VOLT (VAC)	FREQUENCY (HZ)	AIR (CFM)	VOLUME (M ³ /MIN)	CURRENT (A)	POWER (W)	SPEED (RPM)	STATIC PRESSURE (INCH-H ₂ O)	NOISE (dBA)
SA25489H	110/120	50/60	460/550	13.0/15.5	0.32/0.30	35/30	1500/1650	0.35/0.45	48
SA25489H	220/240	50/60	460/550	13.0/15.5	0.15/0.14	33/31	1500/1650	0.35/0.45	48