

FA 1238 23B 27M

(120x120x38 mm)

Features

- Die cast magnesium frame
- Die cast magnesium impeller
- Ball bearing or sleeve bearing
- Electrical connections: terminals or lead wires
- Optional: with tachometer
- Impedance protection
- IP class: IP 55
- Operating temp.: -20~+80 °C
- Life time: 60000 hrs@20 °C (ball bearing)
50000 hrs@20 °C (sleeve bearing)
- Weight: 460 g
- Certificates: CE, UL



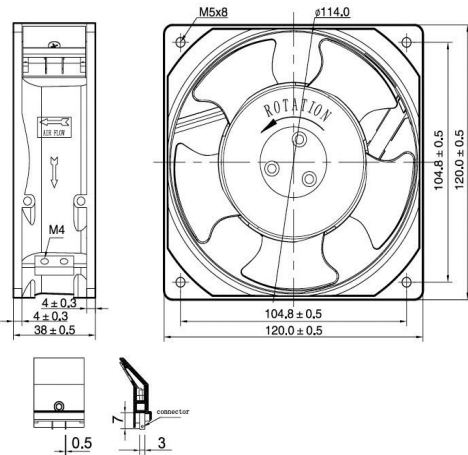
Model	Voltage VAC	Frequency Hz	Current A	Input Power (W)	Speed RPM	Airflow CFM	Static pressure (InH2O)	Sound level dBA
FA 1238 23 # 27M	230	50/60	0.13/0.21	21/18	2700/3100	84/100	0.28/0.34	49/51

#: B for ball bearing and S for sleeve bearing. Refer to the ordering code below.

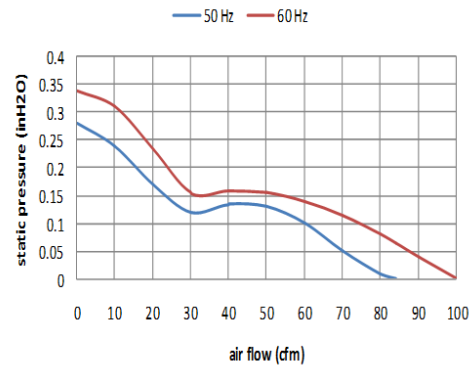
*: above specifications are subject to change without prior notice

** : for non-standard product, contact our sale's team at info@ventus-sa.com

Dimensions



Performance



Ordering Code:

Fan type	Dimensions	Voltage	Bearing type		Speed	Metal impeller	optional	-	Electrical connections		Other specs*
			Ball	sleeve					Terminals	Lead wires	
FA	1238	23	B	S	27	M	T	-	C	L	/O

*: if the ordered item is not standard fans offered on our website, always put "/O" at the end of the ordering code and specify the project number which is unique for any non-standard products. Sales team will provide this project number together with specs sheet confirmed by both parties.

Example: FA 1238 23 B 27M-C