

13391

Φ133x91MM



General Specifications

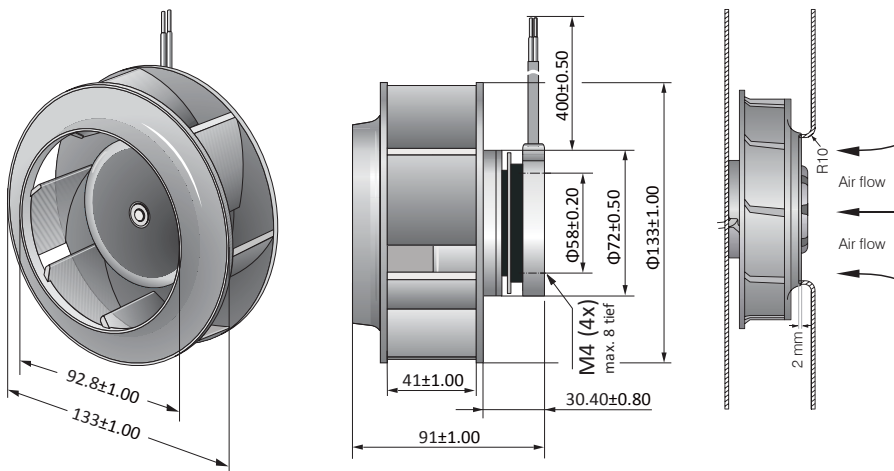
- ◆ Material..... Pillow: Die-Cast Aluminum
Impeller: Plastic (UL94V-0)
Lead Wire: UL1007AWG#20 or Equivalent (+) Red, (-) Black
- ◆ Expected Life..... Ball Bearing 50,000hrs (40°C)
- ◆ Temperature Range.... Operating temperature -10°C~70°C (Non-condensing)
Storage temperature -40°C~70°C (Non-condensing)
- ◆ Safety Standards..... UL, TUV, RoHS, CE
- ◆ DC Fan Specials..... RD, FG, PWM, Temperature control, IP56

Specifications

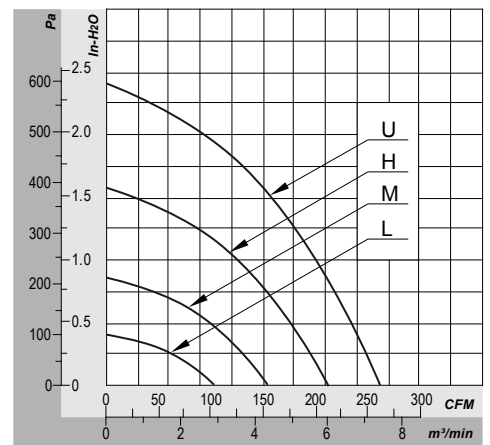
Model	#Bearing Type	Rated Voltage	Operating Voltage	Input Current	Input Power	Speed	Max Air Flow		Max Static Pressure		Noise	Weight
Part No.	B.S	VDC	VDC	Amp	Watt	RPM	CFM	m ³ /min	Inch-H ₂ O	Pa	dB-A	g
DB13391B24U	B	24	14.0~27.6	2.55	62.00	5000	264.85	7.50	2.39	595.26	69.0	680.0
DB13391B24H	B	24	14.0~27.6	1.50	36.00	4000	211.88	6.00	1.56	380.80	64.0	680.0
DB13391B24M	B	24	14.0~27.6	0.75	18.00	3000	158.91	4.50	0.86	214.23	58.0	680.0
DB13391B24L	B	24	14.0~27.6	0.50	8.00	2000	105.94	3.00	0.38	95.21	49.0	680.0
DB13391B48U	B	48	28.0~56.0	1.25	62.00	5000	264.85	7.50	2.39	595.26	69.0	680.0
DB13391B48H	B	48	28.0~56.0	0.80	36.00	4000	211.88	6.00	1.56	380.80	64.0	680.0
DB13391B48M	B	48	28.0~56.0	0.40	18.00	3000	158.91	4.50	0.86	214.23	58.0	680.0
DB13391B48L	B	48	28.0~56.0	0.15	8.00	2000	105.94	3.00	0.38	95.21	49.0	680.0

Specifications are subject to change without notice. Please visit our website at <http://www.szhxht.com> for update information

Dimensions (Unit:mm)



PQ Curve (At rated Voltage)



17569

Φ175x69MM

General Specifications

- ◆ Material..... Pillow: Die-Cast Aluminum
Impeller: Plastic (UL94V-0)
Lead Wire: UL1007AWG#20 or Equivalent (+) Red, (-) Black
- ◆ Expected Life..... Ball Bearing 50,000hrs (40°C)
- ◆ Temperature Range.... Operating temperature -10°C~70°C (Non-condensing)
Storage temperature -40°C~70°C (Non-condensing)
- ◆ Safety Standards..... UI, TUV, RoHS, CE
- ◆ DC Fan Specials..... RD, FG, PWM, Temperature control, IP56

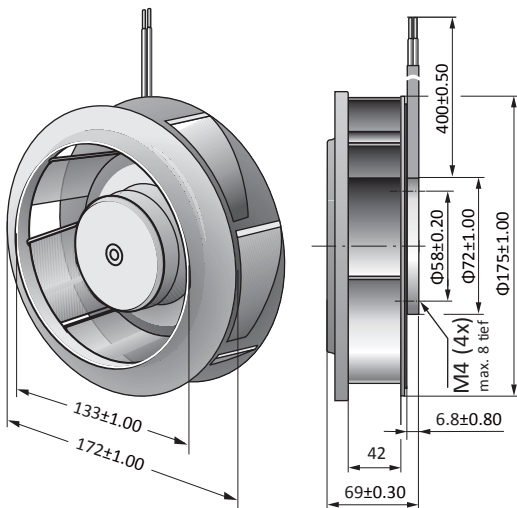


Specifications

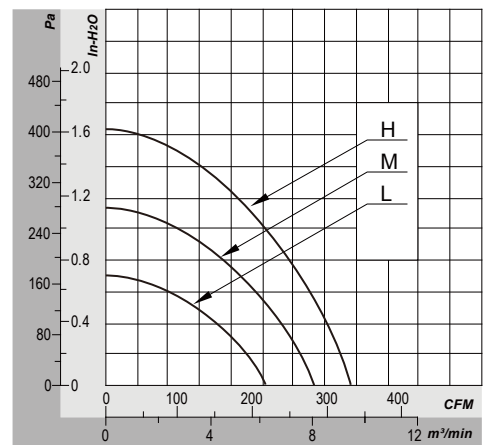
Model	#Bearing Type	Rated Voltage	Operating Voltage	Input Current	Input Power	Speed	Max Air Flow		Max Static Pressure		Noise	Weight
Part No.	B.S	VDC	VDC	Amp	Watt	RPM	CFM	m ³ /min	Inch-H ₂ O	Pa	dB-A	g
DB17569B24H	B	24	14.0~27.6	2.00	48.00	3000	332.54	9.41	1.60	398.27	64.0	780.0
DB17569B24M	B	24	14.0~27.6	1.20	28.80	2500	277.12	7.84	1.11	276.58	59.0	780.0
DB17569B24L	B	24	14.0~27.6	0.75	18.00	2000	221.69	6.27	0.71	177.11	54.0	780.0
DB17569B48H	B	48	28.0~56.0	1.00	48.00	3000	332.54	9.41	1.60	398.27	64.0	780.0
DB17569B48M	B	48	28.0~56.0	0.60	28.80	2500	277.12	7.84	1.11	276.58	59.0	780.0
DB17569B48L	B	48	28.0~56.0	0.35	16.80	2000	221.69	6.27	0.71	177.11	54.0	780.0

Specifications are subject to change without notice. Please visit our website at <http://www.szhxht.com> for update information

Dimensions (Unit:mm)



PQ Curve (At rated Voltage)



19069

Φ190x69MM

General Specifications

- ◆ Material..... Pillow: Die-Cast Aluminum
Impeller: Plastic (UL94V-0)
Lead Wire: UL1007AWG#20 or Equivalent (+) Red, (-) Black
- ◆ Expected Life..... Ball Bearing 50,000hrs (40°C)
- ◆ Temperature Range.... Operating temperature -10°C~70°C (Non-condensing)
Storage temperature -40°C~70°C (Non-condensing)
- ◆ Safety Standards..... UL, TUV, RoHS, CE
- ◆ DC Fan Specials..... RD, FG, PWM, Temperature control, IP56

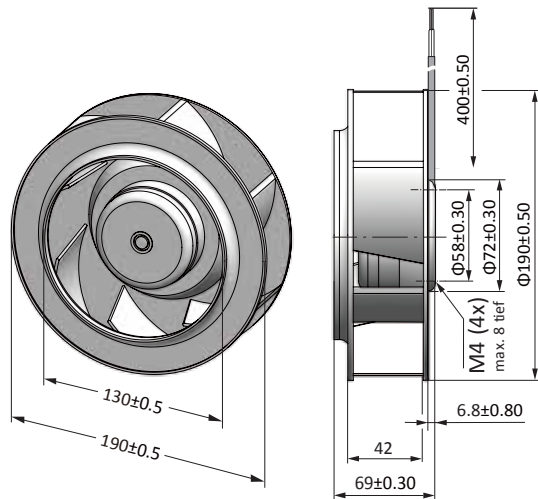


Specifications

Model	#Bearing Type	Rated Voltage	Operating Voltage	Input Current	Input Power	Speed	Max Air Flow		Max Static Pressure		Noise	Weight
Part No.	B.S	VDC	VDC	Amp	Watt	RPM	CFM	m ³ /min	Inch-H ₂ O	Pa	dB-A	g
DB19069B24H	B	24	14.0~27.6	2.60	48.00	3000	371.10	10.50	1.92	477.92	69.0	830.0
DB19069B24M	B	24	14.0~27.6	1.40	24.00	2500	309.25	8.76	1.34	331.90	65.0	830.0
DB19069B24L	B	24	14.0~27.6	0.80	16.80	2000	247.40	7.01	0.85	212.40	60.0	830.0
DB19069B48H	B	48	28.0~56.0	1.30	12.00	3000	371.10	10.50	1.92	477.92	69.0	830.0
DB19069B48M	B	48	28.0~56.0	0.80	48.00	2500	309.25	8.76	1.34	331.90	65.0	830.0
DB19069B48L	B	48	28.0~56.0	0.60	28.80	2000	247.40	7.01	0.85	212.40	60.0	830.0

Specifications are subject to change without notice. Please visit our website at <http://www.szhxht.com> for update information

Dimensions (Unit:mm)



PQ Curve (At rated Voltage)

