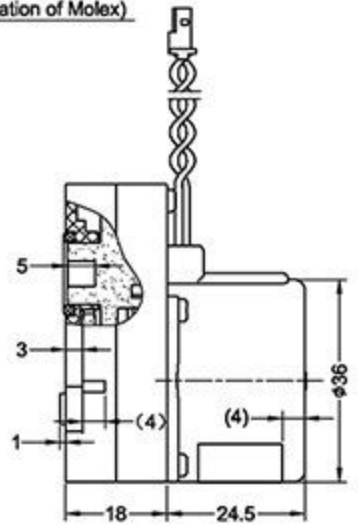
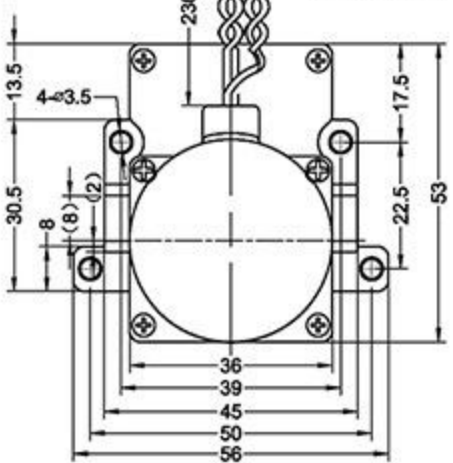
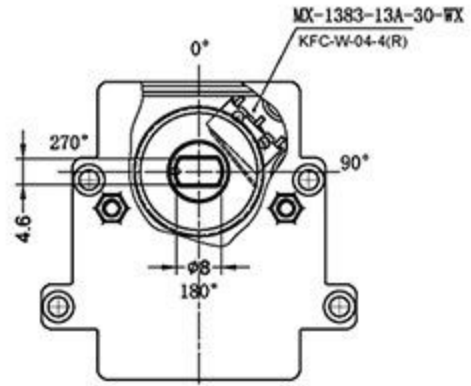


Motor:  
1:Yellow 2:Red(26AWG)  
Model:50375043( Imitation of Molex)

Exposed lead  $235^{\pm 10}$   
Switch:  
3:Blue 4: Green(26AWG)  
Exposed lead  $235^{\pm 10}$



Electrical schematic diagram:



K point of the output shaft  
and angle of valve

