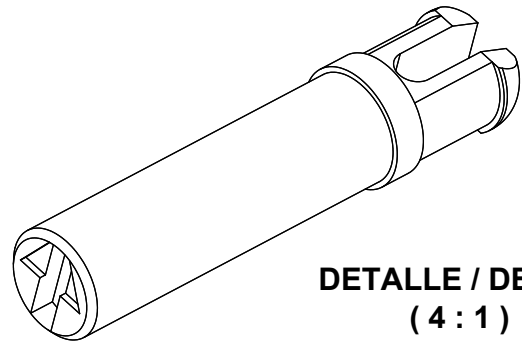
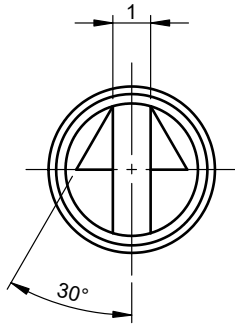


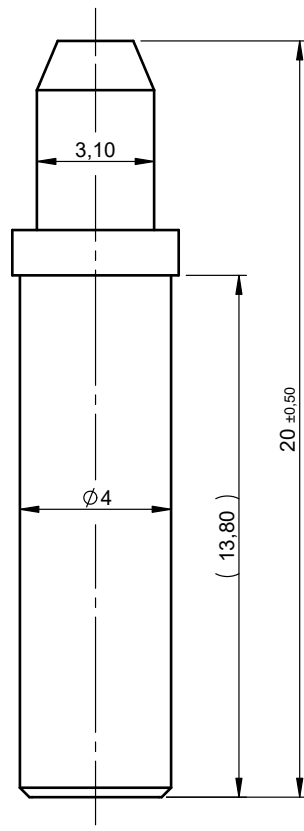
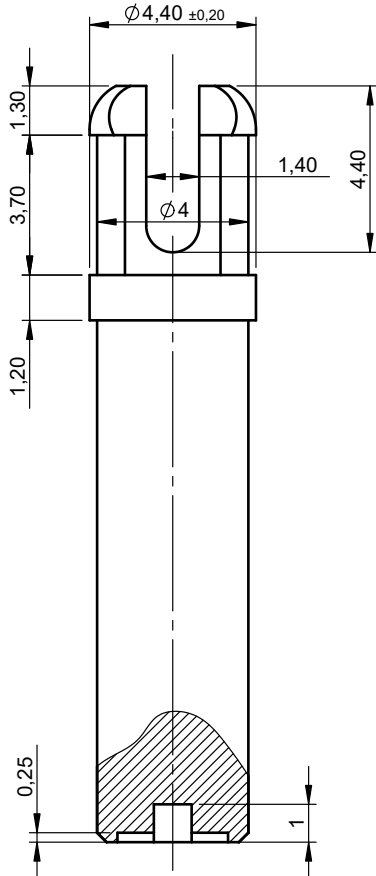
1		2		3	
INDICE INDEX	LOCAL. LOCAT.	MODIFICACIÓN / MODIFICATION		FECHA DATE	NOMBRE NAME
01	-	PUESTA EN MARCHA / LAUNCH TO PRODUCTION		20/09/2021	R. CALAHORRA

A



**DETALLE / DETAIL**  
**( 4 : 1 )**

B



**Material / Material**  
**PA 6.6**  
**PA 6.6 V0**

C

Tolerancias Tolerances	Fecha Date	Nombre Name	Firma Signed
Angular : Angle :	20/09/2021	R. CALAHORRA	
Pieza Part ± 1°	20/09/2021	F. LAPLAZA	
Conjunto Assembly ± 5°	20/09/2021	F. LAPLAZA	

**PIHER**

Piher Sensors & Controls SA  
Polígono Industrial Municipal, Vial T2, No 22  
31500 Tudela, Navarra, Spain

Lineal : Linear : < 1 ± 0.05 1 ÷ 10 ± 0.10 > 10 ± 0.15	<b>EJE / SHAFT</b> <b>( Fig. 23 - Ref. 6022 )</b>			Variante Variant	Tipo Model
				Cód. Artículo Item Code	Referencia Reference
Medidas en mm Dimensions in mm				-	PT15
Escala / Scale 5 : 1	Cliente Customer	NPD / Filial NPD / Subs	- / -	Sistema Proyección Projection System	Curva Curve
CAD 11799 - 01	Nº Plano Drawing No	Forma de Pedido How to Order	-		-

CONFIDENTIAL: This drawing and/or its design is proprietary and the property of Piher Sensors & Controls SA. This drawing and/or its design is provided to you subject to the condition that it shall not be reproduced, copied, lent or otherwise disposed of, directly or indirectly. It shall not be used to furnish any information for the making of drawings, prints or apparatus, or parts therefore, except where otherwise expressly provided for by contract with Piher Sensors & Controls SA. Information contained in and/or attached to this document may be subject to export control regulations of the European Community, USA, or other countries.