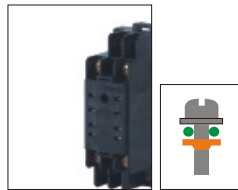




PYF08A



PYF08A



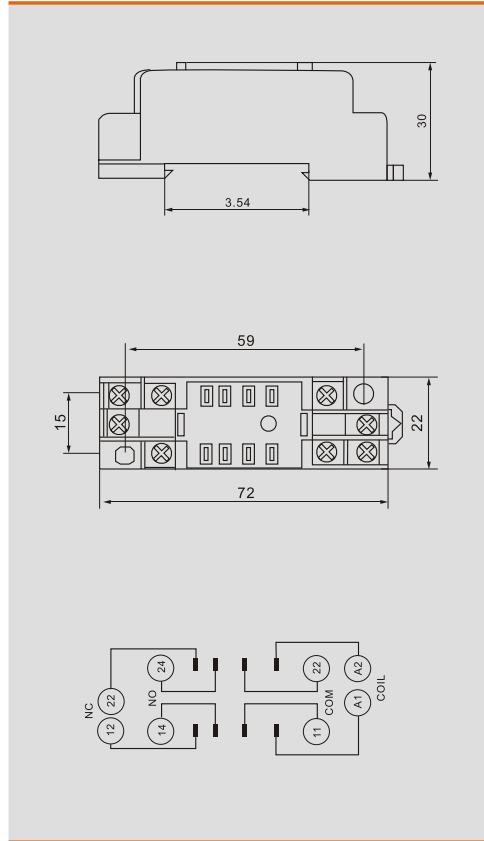
**Specification**

Rated load	Current / Voltage	A/VAC	7/300
Dielectric strength	Coil/Contact	V/S	2000
	Between contacts	V/S	2200
External connection wire	AWG/mm <sup>2</sup>	20-16/0.5-1.5	
Screw torque	Nm	0.7	
Terminal protection degree			

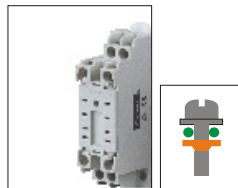
**Matched relay**

Socket model	Relay model	Metal Clip	Module	DIN clip
PYF08A	MY2	K-35S		
	55.02			
	57.02			
	HH52P			
	JQX-13F 2Z 5A			

**Outline dimension, Wiring diagram**



PYF08A-E



PYF08A-E



**Specification**

Rated load	Current / Voltage	A/VAC	7/300
Dielectric strength	Coil/Contact	V/S	2000
	Between contacts	V/S	2200
External connection wire	AWG/mm <sup>2</sup>	20-16/0.5-1.5	
Screw torque	Nm	0.7	
Terminal protection degree	IP20		

**Matched relay**

Socket model	Relay model	Metal Clip	Module	DIN clip
PYF08A-E	MY2	K-35S		
	55.02			
	57.02			
	HH52P			
	JQX-13F 2Z 5A			

**Outline dimension, Wiring diagram**

