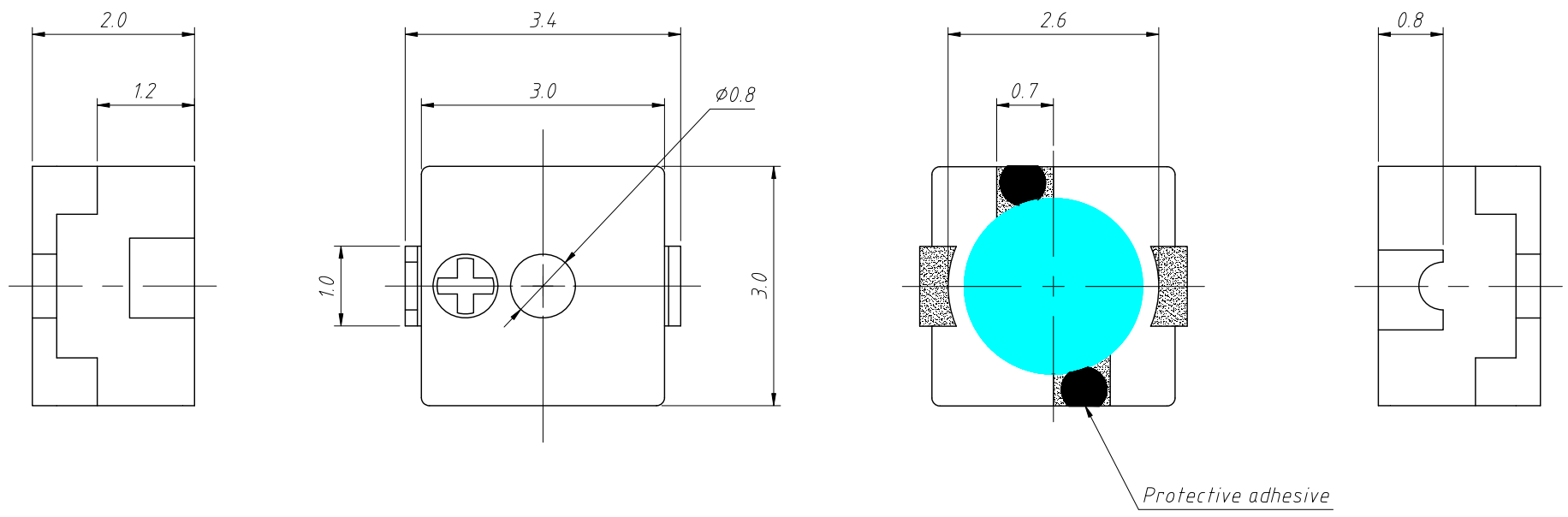


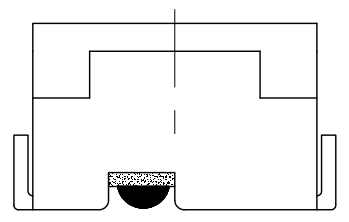
1  
RoHS Compliance



Material:  
Housing:LCP,Black  
Leading Pin: Tin Plated Brass(Sn)

Electrical Characteristics:  
Rated Voltage:3.0 Vo-p  
Operating Voltage:2~4 Vo-p  
Current Consumption:90mA Max,at Rated Voltage  
Sound Pressure Level:65dB Min,at 10cm at Rated Voltage  
Coil Resistance:17Ω±3  
Oscillation Frequency:4500Hz,Vo-p=1/2duty,square wave  
Operating Temperature:-20°C~+70°C  
Weight:0.1g Max

Environmental Protection Regulation:RoHS



Order Information:  
L-KLS3-SMT-3020-3V  
L: RoHS  
SMT Buzzer  
Size:3×3×2mm  
Rated Voltage:3V

ANGLE TOLERANCE	PROJECTION	Description:		3×3×2mm SMT Transducer Buzzer
±3°				
GENERAL TOLERANCE	UNITS	mm	KLS P/N:	L-KLS3-SMT-3020-3V
x.x ±0.30	SHEET SIZE	A4		NingBo KLS ELECTRONIC CO.,L TD.
x.xx ±0.20	Draw:	Daniel	2022-03-10	
x.xxx ±0.10	Check:	Daniel	2022-03-10	