

SPECIFICATIONS SHEET FOR APPROVAL

PIEZO BUZZER
P/N: PB4216A12CNW-03

**DESCRIPTION: D41.8mm, H16mm, 2,800Hz, 12Vdc, 96dB at 30cm
65mm UL1007 AWB#28 wires (Red & Black),
RoHS Compliance (Directive 2002/95/EC)**

VERSION: 02

DATE: 13-Mar-2012

REVISIONS

VERSION	DESCRIPTION	DATE
01	Released from engineering (changed wire length from 140mm to 65mm in model#PB4216A12CNW)	01-Mar-12
02	Updated dimension drawing (changed silkscreen marking to label marking)	13-Mar-12

APPROVED BY :

CUSTOMER NAME :

DATE :

SPECIFICATIONS SHEET

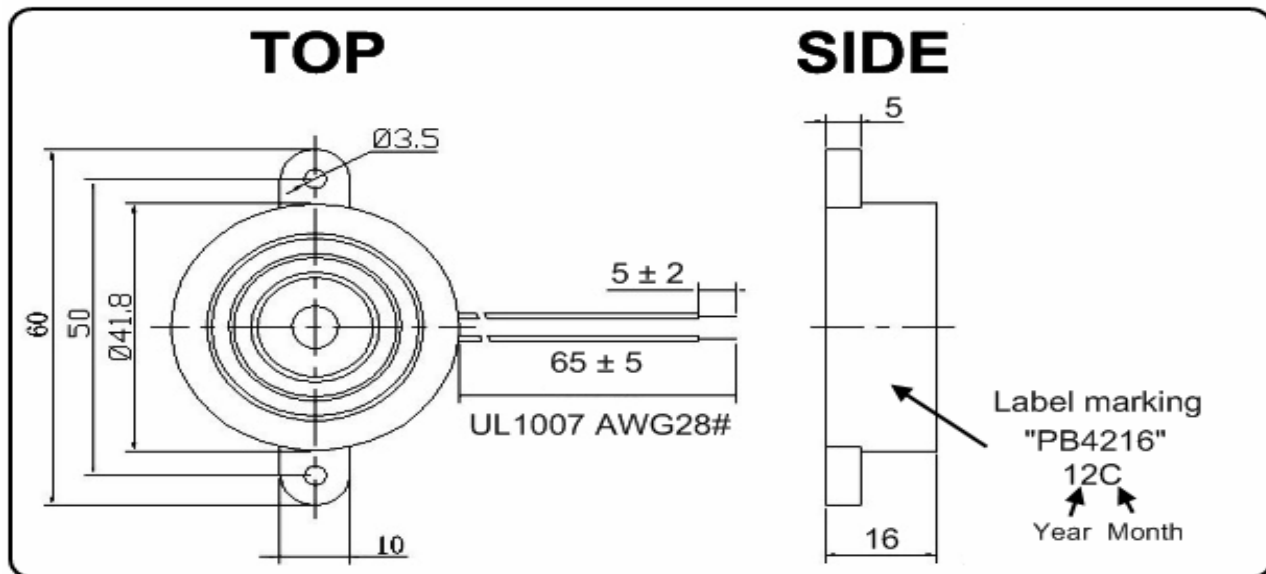
PIEZO BUZZER
P/N: PB4216A12CNW-03

1. SPECIFICATIONS

PARAMETERS	VALUES	UNITS
*MIN SOUND PRESSURE LEVEL AT 30 CM	96	dBA
RATED VOLTAGE	12	Vdc
OPERATING VOLTAGE	3 – 20	Vdc
RESONANCE FREQUENCY	2,800 ± 500	Hz
*MAX CURRENT	10	mA
tone	Continuous	-
OPERATING TEMPERATURE	-30 to +85	°C
STORAGE TEMPERATURE	-40 to +95	°C
HOUSING	NORYL	-
WEIGHT	15	g

*Value applying rated voltage

2. DIMENSIONS (unit in mm)

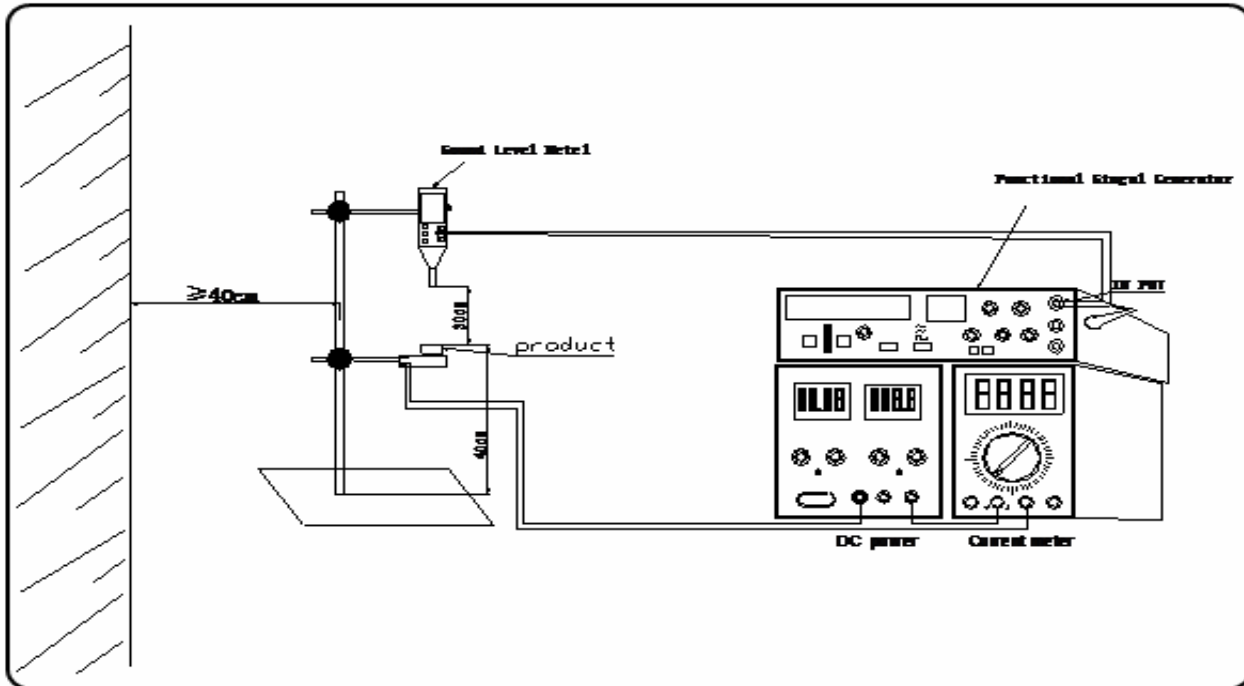


Tolerance: ±0.5mm except specified

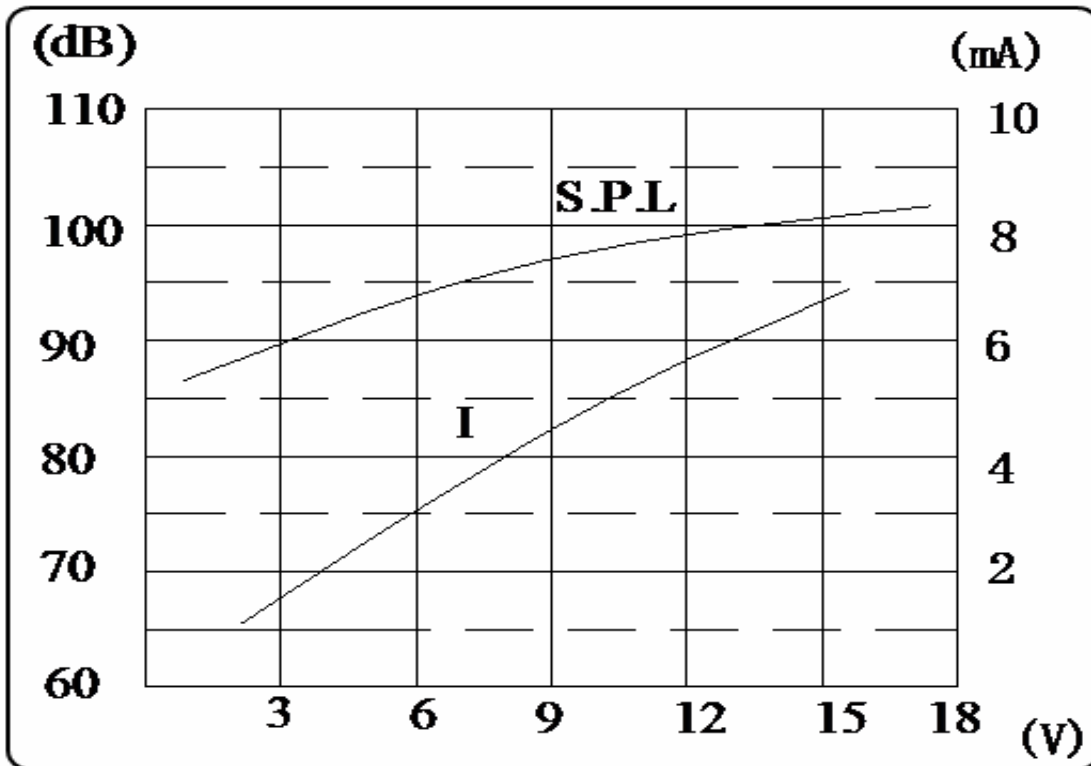
VERSION: 02
DATE: 13-Mar-12

All specifications subject to change without notice

3. MEASURING METHOD



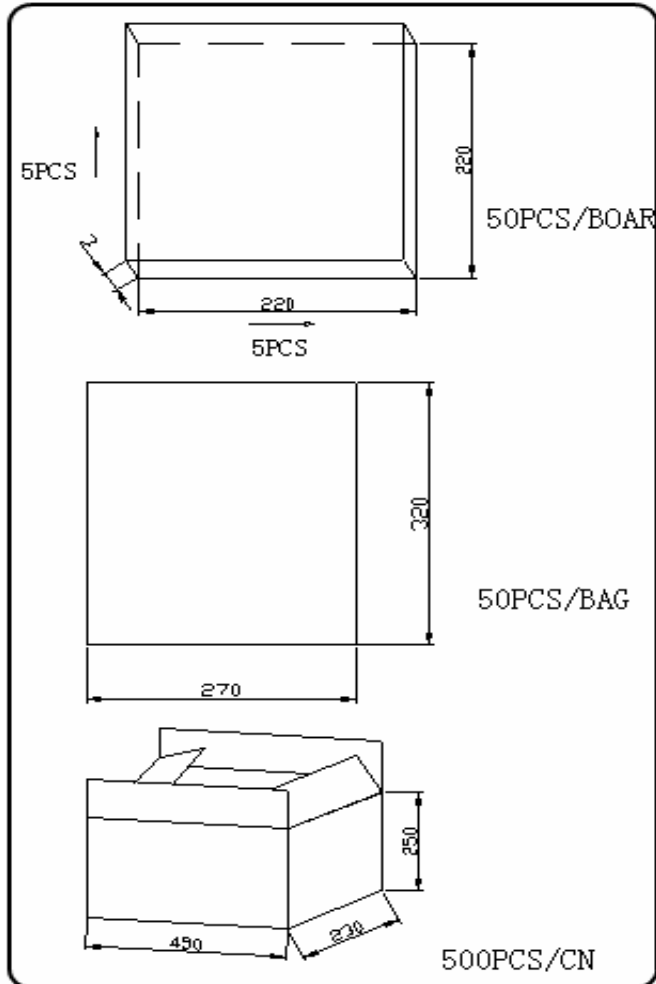
4. FREQUENCY RESPONSE CURVE



VERSION: 02

DATE: 13-Mar-12

5. PACKING INFORMATION



VERSION: 02

DATE: 13-Mar-12