

SPECIFICATIONS SHEET

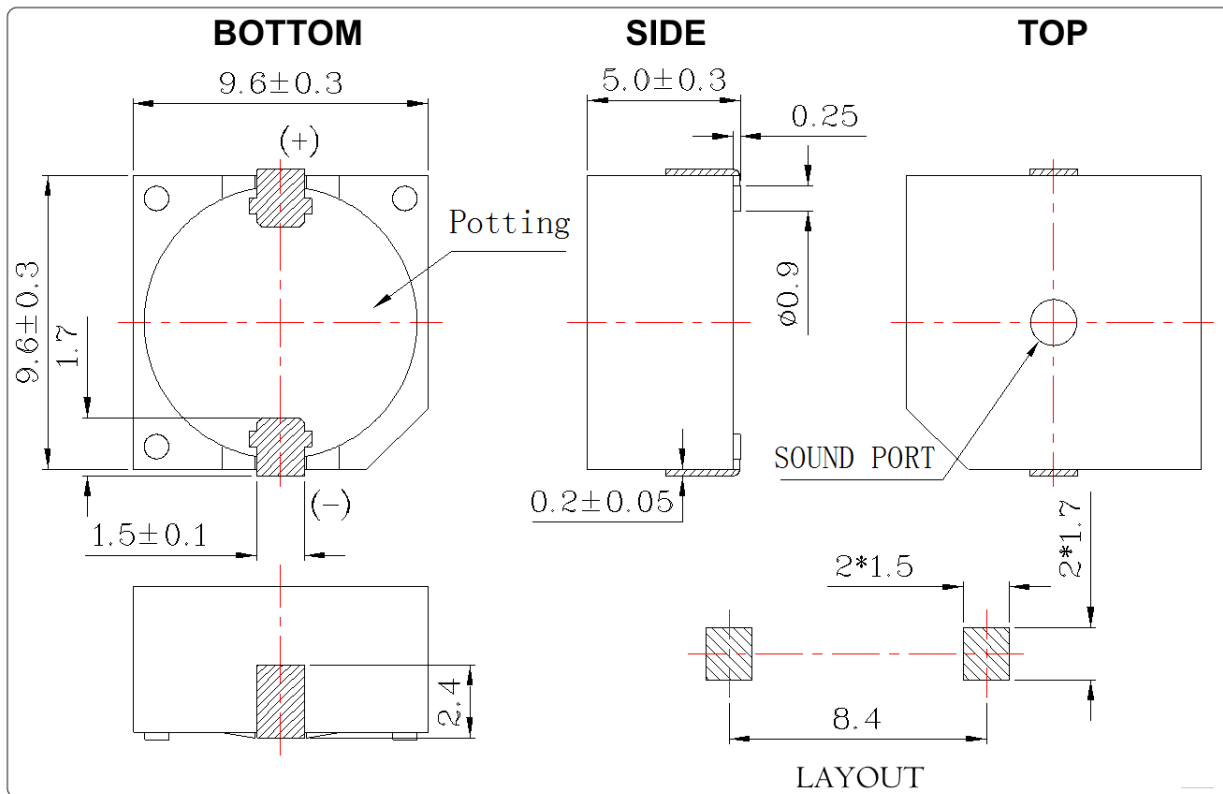
MAGNETIC BUZZER
P/N: MBS9650A03PM-01

1. SPECIFICATIONS

PARAMETERS	VALUES	UNITS
*MIN SOUND PRESSURE LEVEL AT 10 CM	82	dBA
RATED VOLTAGE	3	Vdc
OPERATING VOLTAGE	2 – 5	Vdc
RESONANCE FREQUENCY	2,700 ± 300	Hz
*MAX OPERATING CURRENT	30	mA
OPERATING TEMPERATURE	-20 to +85	°C
STORAGE TEMPERATURE	-40 to +85	°C
HOUSING	PPS	-
WEIGHT	1.5	g

*Value applying rated voltage

2. DIMENSIONS (unit in mm)



Tolerance: ± 0.5 mm except specified

VERSION: 03
DATE: 14-Oct-14

All specifications subject to change without notice