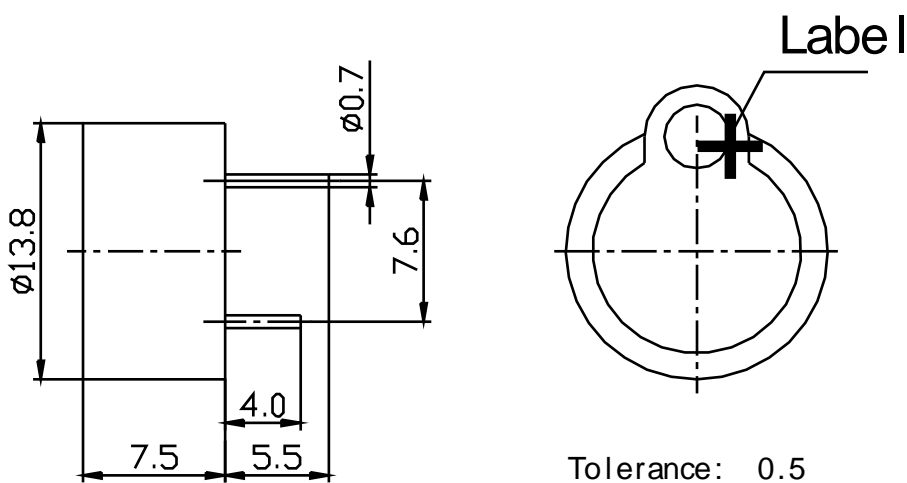


Technical terms

Type		FY14	FY14A
Rated Voltage	(V _{DC})	12	
Operating Voltage	(V _{DC})	3~16	
Resonant Frequency	(kHz)	4.0 0.5	4.8 0.4
Current	(mA)	7	10
Sound Output at 10cm	(dB)	80	85
Operating Temperature	()	-20 ~ +105	
Storage Temperature	()	-40 ~ +105	

Value applying at rated voltage.

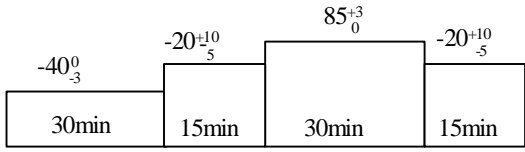
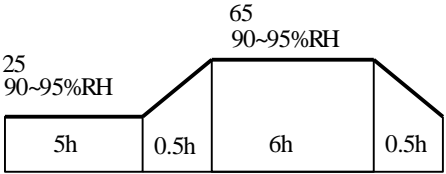
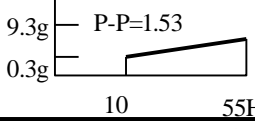


The color of label as follows:

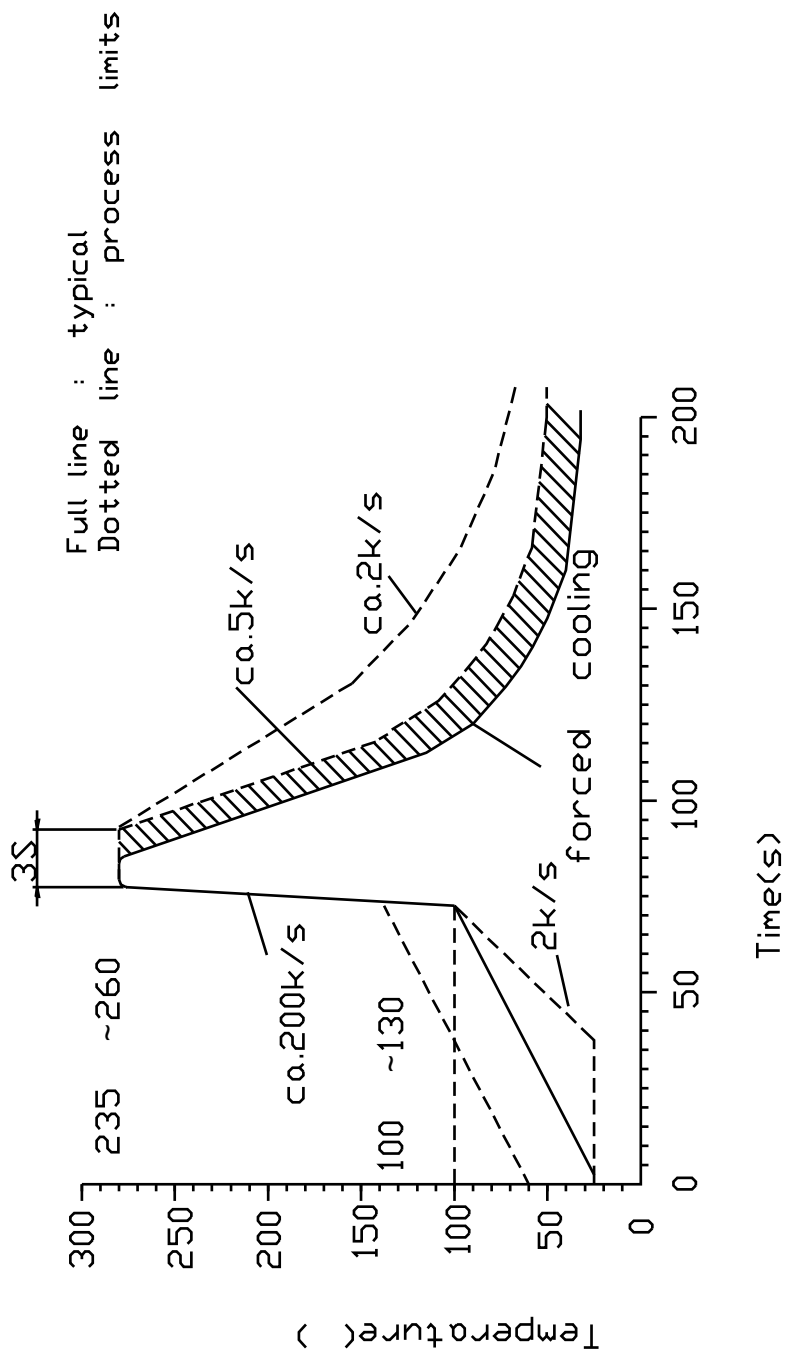
No.	Name	Color
1	FY14	Blue
2	FY14A	Green

				Date	2001.11.22	Specification for piezo-buzzer Preliminary FY14/FY14A
				Designed by	Wang Zhijun	
				Checked by	Xun Honghua	
				Division DR		
				<u>WEILILAI EADC</u>		011122.1
C						
issue	Note	Date	Name			Page 1/4

Reliability test

ITEM	METHOD OF TEST	STANDRARD
Storage in high temp.	Storage in +105 test box for 96 hours, then expose to the room temperature for 2 hours without applying power.	All specifications must be satisfied in this condition.
Storage in Low temp.	Storage in -40 test box for 96 hours, then expose to the room temperature for 2 hours without applying power.	
Temperature cycle test		
	Make this test 50 cycles without applying power, then expose to the room temperature for 2 hours	
Humidity cycle test		
	Make this test 30 cycles without applying power, then expose to the room temperature for 2 hours	
Vibration		
	Make this test for the directions of X,Y and Z for 2 hours each(total 6 hours). To-and-fro sweep times 1 minute.	
Drop test	Drop a buzzer naturally from the height of 1m to the surface 10mm thick wooden board. Three directions(X, Y&Z)	
Solderability test	Soldering temperature:230 5 Heat applying time:3sec	

				Date	2001.11.22	Specification for piezo-buzzer Preliminary FY14/FY14A
				Designed by	Wang Zhijun	
				Checked by	Xun Honghua	
				Division DR		
				<u>WEILILAI EADC</u>		011122.1
C						
issue	Note	Date	Name			Page 2/4



Wave-Soldering, Temperature/Time-Profile(Lead-Temperature)

				Date	2001.11.22	Specification for piezo-buzzer Preliminary FY14/FY14A
				Designed by	Wang Zhijun	
				Checked by	Xun Honghua	
				Division DR		011122.1
				<u>WEILILAI EADC</u>		
C						
issue	Note	Date	Name			Page 3/4

