

SPECIFICATIONS SHEET FOR APPROVAL

PIEZO BUZZER
P/N: PB1475A05NP-02

**DESCRIPTION: D13.8mm, H7.5mm Piezo Buzzer, 4000Hz, 5Vdc,
75dB at 10cm
Internal use IC design**

VERSION: 01

DATE: 30-Nov-16

REVISIONS

VERSION	DESCRIPTION	DATE
01	Released from engineering	30-Nov-2016

APPROVED BY :

CUSTOMER NAME :

DATE :

SPECIFICATIONS SHEET

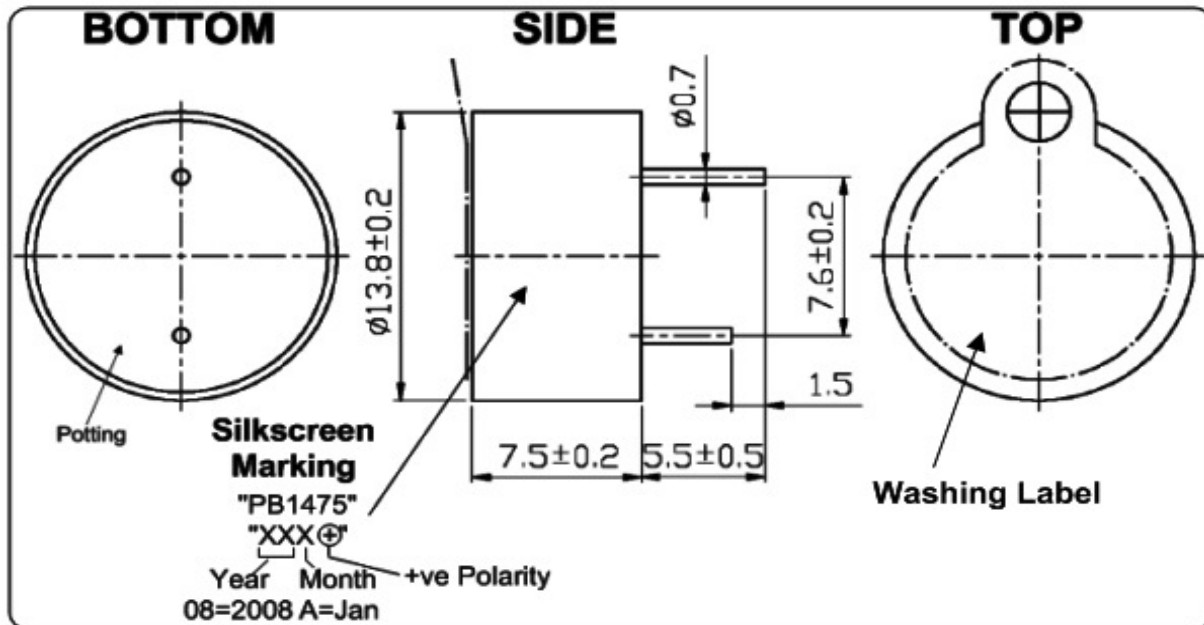
PIEZO BUZZER
P/N: PB1475A05NP-02

1. SPECIFICATIONS

PARAMETERS	VALUES	UNITS
*MIN SOUND PRESSURE LEVEL AT 10 CM	75	dBa
RATED VOLTAGE	5	Vdc
OPERATING VOLTAGE	3 - 16	Vdc
RESONANCE FREQUENCY	4,000 ± 500	Hz
*MAX CURRENT	7	mA
tone	SINGLE	-
OPERATING TEMPERATURE	-20 to +70	°C
STORAGE TEMPERATURE	-30 to +80	°C
HOUSING	NORYL	-
WEIGHT	1	g

*Value applying rated voltage

2. DIMENSIONS (unit in mm)



Tolerance: ± 0.5 mm except specified

VERSION: 01

DATE: 30-Nov-16

All specifications subject to change without notice