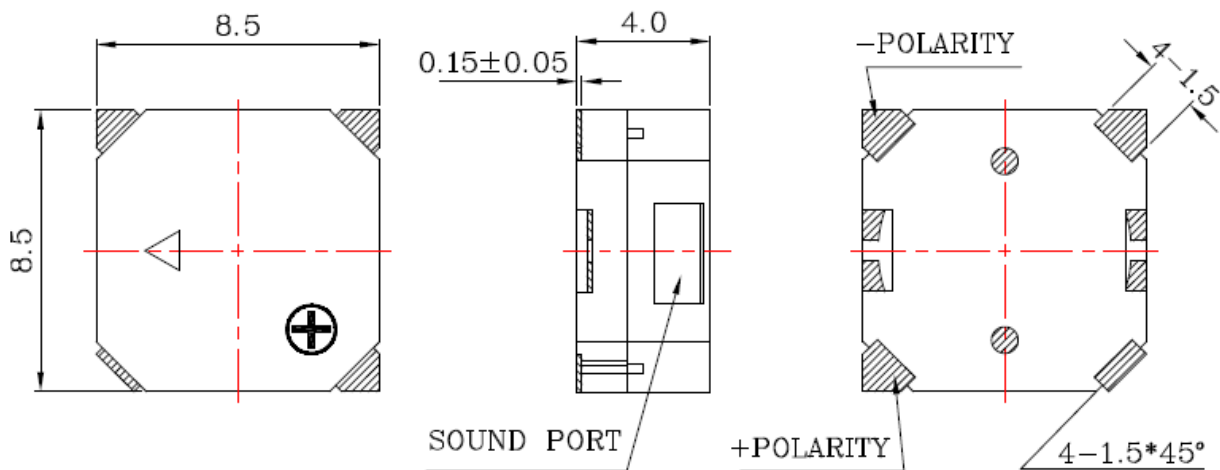




Electrical Specifications

PARAMETERS		VALUE	UNIT
Oscillation Frequency	@ Vo-p=1/2duty , square wave	2700	Hz
Operating Voltage		2.5 ~ 4.5	Vo-p
Rated Voltage		3.6	Vo-p
Current Consumption, max	@ Rated Voltage	100	mA
Sound Pressure Levels, min	@ 10 cm	93	dB
Coil Resistance		16 ±3	Ω
Operating Temperature Range		-20 ~ +70	°C
Storage Temperature Range		-30 ~ +80	°C
Housing Material / Color		LCP / Black	-
Leading Pin		Tin Plated Brass(Sn)	-
Weight		0.8	g

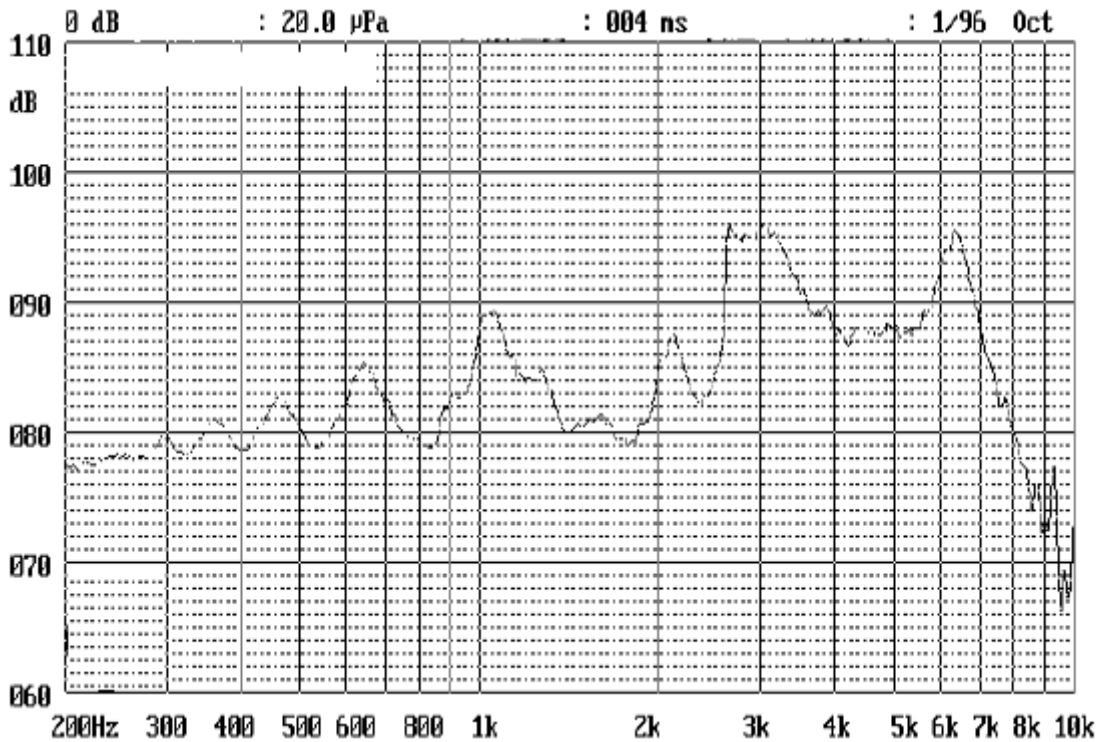
Dimension



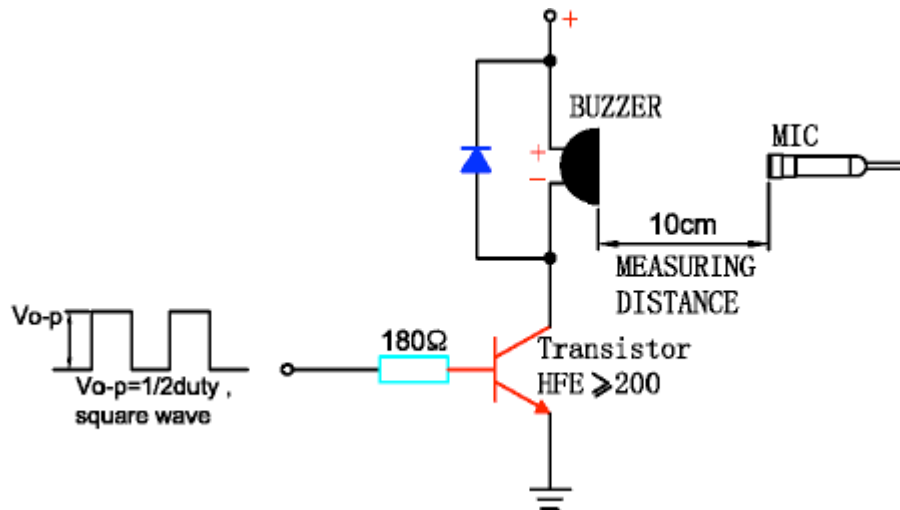
Tol : ± 0.5

Unit: mm

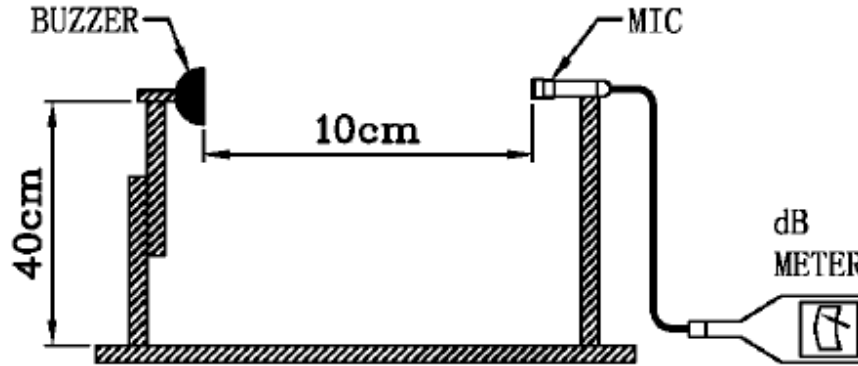
Frequency Characteristics



Testing Method



In the measuring test, buzzer is placed as follows:



• APPROVAL

DRAWN BY	AR, November 21, 2023
APPROVED BY	CP, November 21, 2023
REVISION	A, Initial Release

Raltron Electronics / RAMI Technology USA, LLC, including its affiliates, employees, agents and other persons acting on its behalf (collectively Raltron/RAMI Tech), disclaim any and all liability for any errors or inaccuracies contained in this data sheet. While Raltron/RAMI Tech has made every reasonable effort ensure the accuracy of all product information, specifications and data contained herein, Raltron/RAMI Tech does not guarantee that the information is accurate, reliable or current. The product information is provided only for reference purposes only and is subject to change, correction or revision, at any time without notice. Raltron/RAMI Tech does not assume any liability arising out of an application or use of any product described herein and disclaims any warranties expressed or implied. The user of products in such applications shall assume all risks of such use and will agree to hold Raltron/RAMI Tech, harmless against all damages.

Copyright © 2016, Raltron Electronics / RAMI Technology USA, LLC. All rights reserved. No part of this document may be reproduced in any form without the prior written permission of Raltron Electronics / RAMI Technology USA, LLC.